

Temperature Sensing

Industrial Thermocouple Assemblies



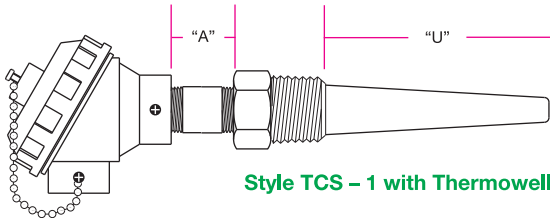
Industrial Process Thermocouples



Tempco manufactures many styles of industrial thermocouple assemblies for a wide range of industries, from petrochemical to textile applications, where one or more protection tubes may be necessary to protect the thermocouple.

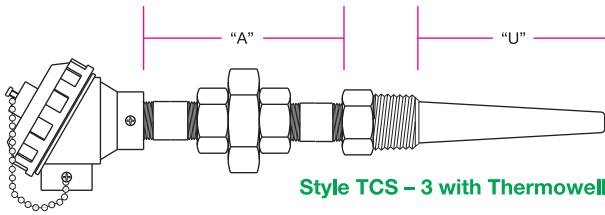
Metal Protecting Tube Assemblies

Thermowell Assemblies



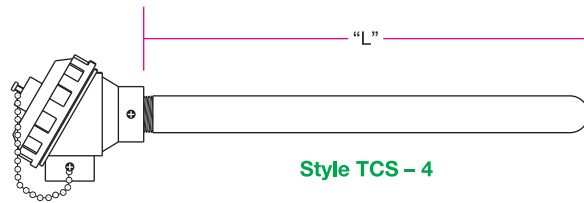
Style TCS - 1 with Thermowell

Thermocouple Head, Nipple, Thermowell

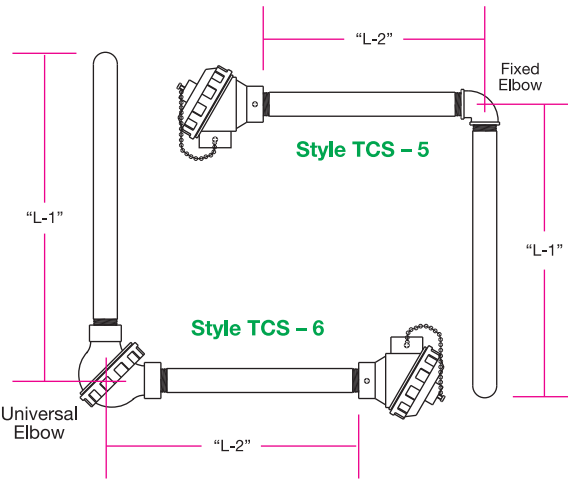


Style TCS - 3 with Thermowell

Thermocouple Head, Nipple, Union, Nipple, Thermowell



Style TCS - 4

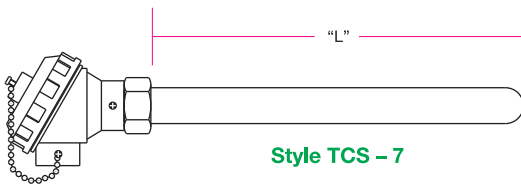


Style TCS - 5

Style TCS - 6

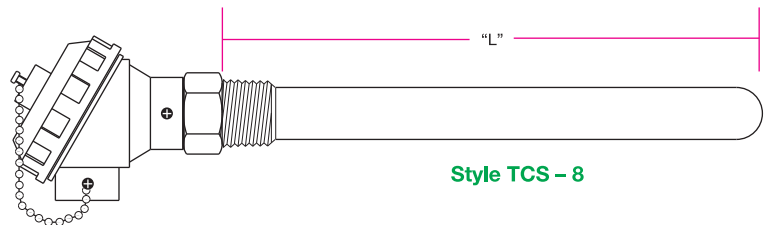
Thermocouple Head, Metal Protecting Tube

Ceramic Tube Assemblies



Style TCS - 7

Thermocouple Head, Fixed Bushing, Ceramic Tube

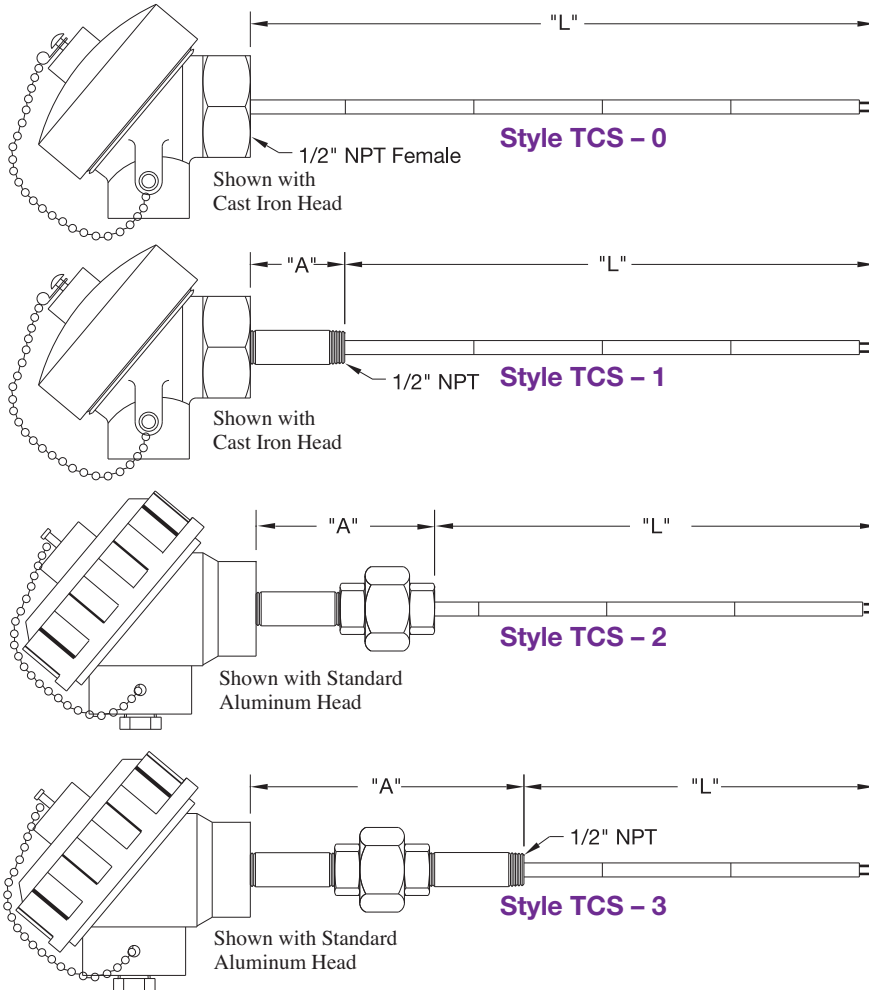


Style TCS - 8

Thermocouple Head, Ceramic Tube



Thermocouples for Thermowells and Protection Tubes



Design Features

- * Ceramic Insulator to Insulate Wires
- * Galvanized 1/2" Pipe Nipple & Union
- * Cast Iron or Aluminum Head
- * Used with protection tubes and thermowells shown on pages 14-76 through 14-86

Ordering Information

Thermocouples are offered with the options listed in the worksheet below. Create an ordering code by filling in the boxes with the appropriate number and/or letter designation for your requirements, and a part number will be assigned.

Ordering Code: **TCS** -

Style BOX 1

- 0** = Plain
- 1** = with Nipple
- 2** = with Nipple and Union
- 3** = with Nipple, Union and Nipple

Calibration Code BOX 2

- J** = Type J
- K** = Type K
- X** = Other (Specify)

Wire Gauge and Insulator Size BOX 3

- B** = 20 ga. (.172" x .118" insulator)
- C** = 14 ga. (.375" x .217" insulator)
- D** = 8 ga. (.437" x .250" insulator)
- X** = Other (Specify)

"L" Dimension BOX 4

Whole inches
00 to 99

"A" Dimension (TCS -1, TCS -2 & TCS -3 only) BOX 5

01 to 99 inches or use Codes below for standard length
Enter 00 for TCS - 0 Style

| TCS1 | TCS2 | TCS3 |
|--------------------|--------------------|---------------------|
| S1 = 1" | S1 = 2-1/2" | S1 = 3-1/2" |
| S2 = 2-1/2" | S2 = 4" | S2 = 6-1/2" |
| S3 = 5-1/2" | S3 = 7" | S3 = 12-1/2" |

Connection Head BOX 6

A = Standard Size Aluminum
H = Standard Cast Iron
S = Stainless Steel
Note: All have 1/2" conduit connection (3/4" available).
For overall dimensions see pages 14-98 through 14-100.

Special Requirements BOX 7

X = Specify
0 = None

WARNING: Cancer and Reproductive Harm - www.P65Warnings.ca.gov.