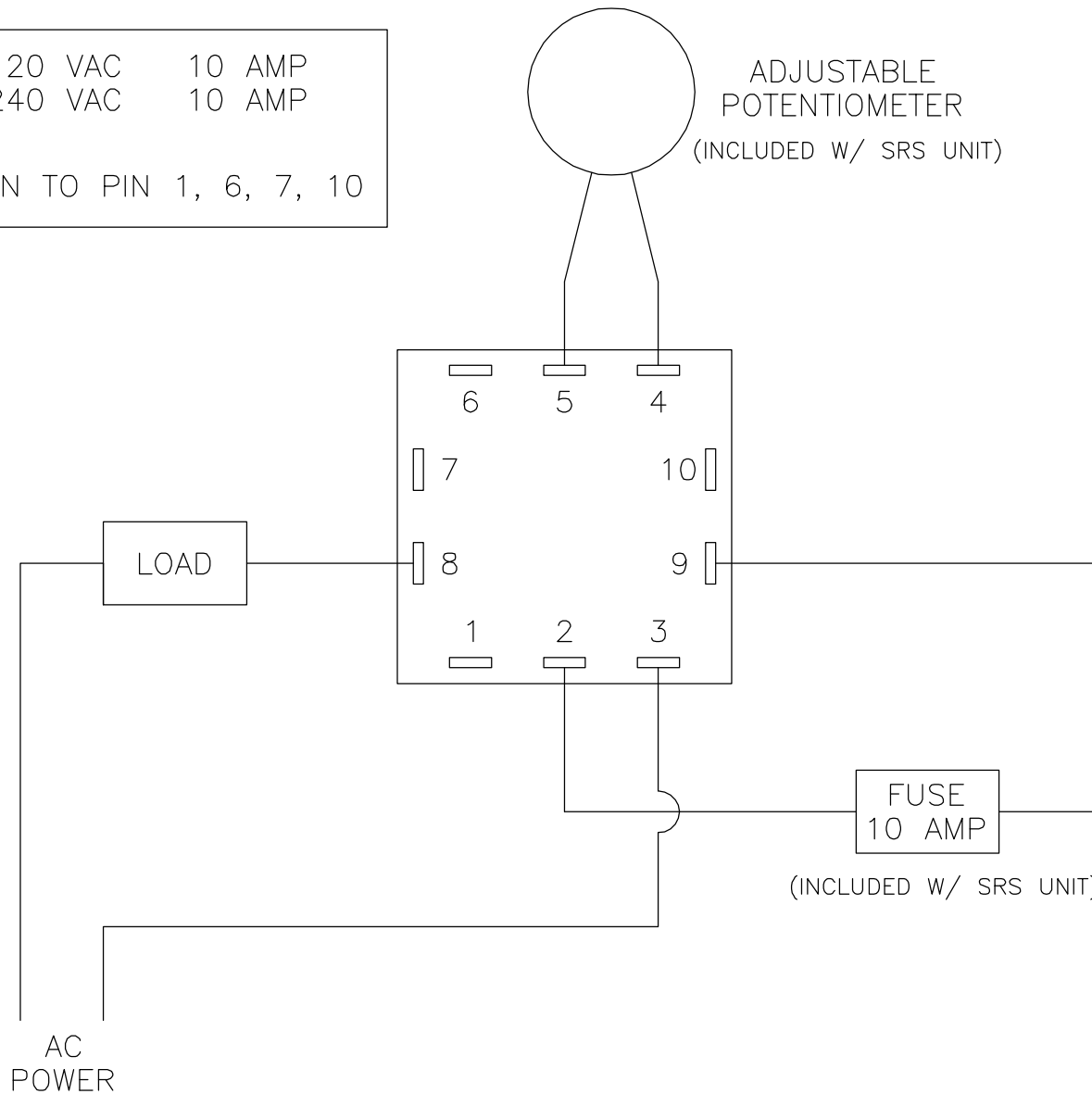


SRS00010 120 VAC 10 AMP
 SRS00020 240 VAC 10 AMP

NO CONNECTION TO PIN 1, 6, 7, 10

ADJUSTABLE
 POTENTIOMETER
 (INCLUDED W/ SRS UNIT)



ITEM	PART NO.	REQD	DESCRIPTION
<small>TOLERANCES UNLESS OTHERWISE SPECIFIED</small> FRACTIONS ± 1/64 DECIMALS .XX ± .010 .XXX ± .005 ANGLES ± 1° SURFACE FINISH ✓			TITLE: SOLID STATE VARIABLE POWER CONTROLLER SURFACE PANEL MOUNT, WIRING DIAGRAM SRS00010 & SRS00020
<small>CUSTOMER:</small> TEMPCO		<small>SCALE:</small> NTS	<small>DATE:</small> 1/31/13 <small>DRAWN BY:</small> JWG <small>APPROVED:</small> _____
<small>CUSTOMER PART NO.:</small> N:\..\SRS\		<small>REV. SHEET</small> 0 1 OF 1	<small>DRAWING NUMBER:</small> SRS00010,20 WIRING

