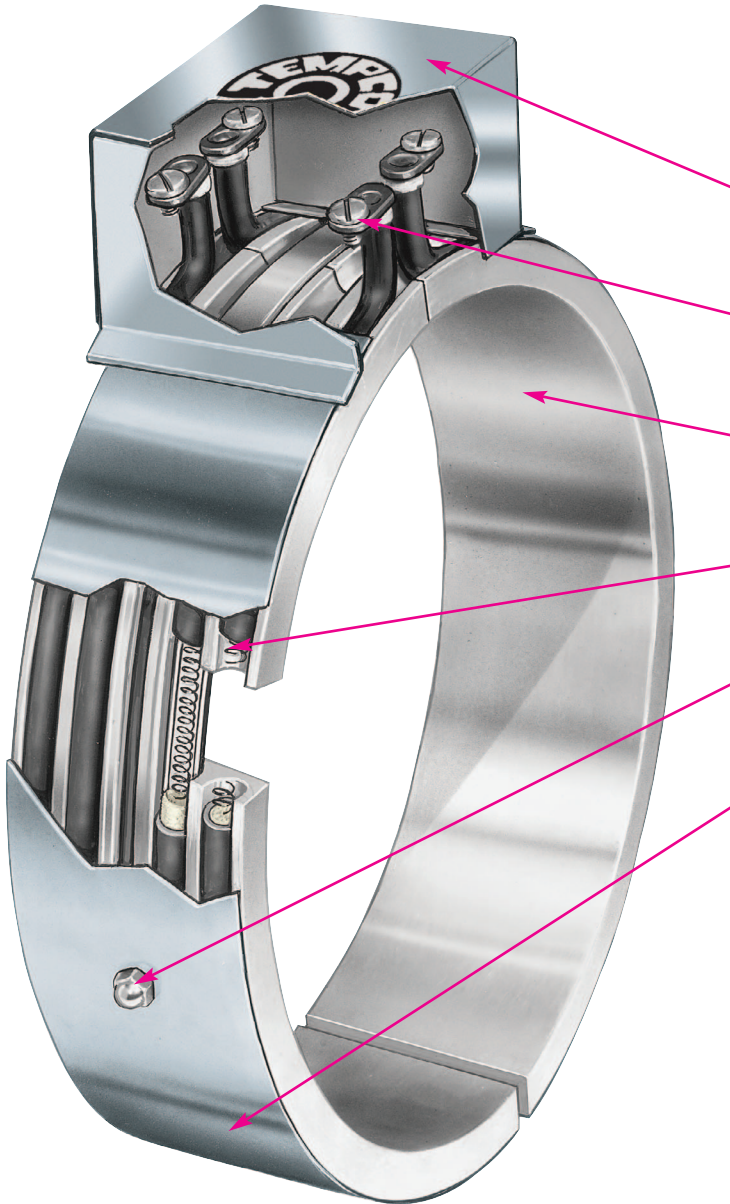
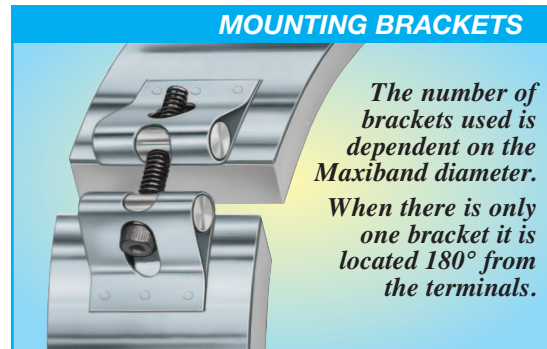


Maxiband®

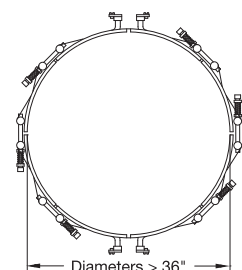
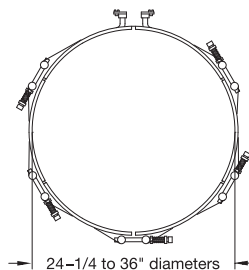
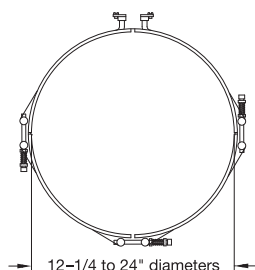
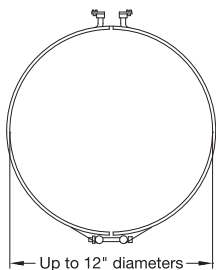
The Most Sought After Band Heater



- A** General purpose terminal box offers excellent protection to the exposed terminals. To simplify electrical wiring, the box has two 1/2" trade size knockouts that will accept standard conduit or flexible armor cable connectors.
- B** Right-angle terminal lugs with 10-32 binding head screws provide ease of electrical wiring.
- C** The channels in the specially designed extruded aluminum track have been precisely sized to accept a .315 diameter tubular heating element, and provide an excellent heat sink for rapid heat transfer and good temperature uniformity.
- D** Ruggedly constructed .315 diameter tubular heating elements are the heat source for Maxiband Heaters, providing excellent life and long, trouble-free service.
- E** Crown nuts are located at 90° from the ends that fasten the clamping strap to the aluminum track, keeping the entire assembly together, providing ease of installation.
- F** The strap is made from a Low Thermal Expansion Alloy. It hinges at the terminal end to allow for easy installation. Specially designed mounting brackets with 1/4"-20 socket cap screws, located 180° from the terminal end, provide the clamping force required to tightly draw the heater assembly to the cylinder being heated.



Typical Maxiband Clamping





Maxiband® Heaters

Design Features

- * Quick Installation
- * Rugged, Durable Construction
- * Contamination Proof
- * Various Lead Terminations
- * Exceptionally Long Life
- * Excellent Heat Transfer
- * Excellent Temperature Uniformity

Heat and Liquid Cool Maxibands (MXB)

Stainless steel tubing for liquid cooling is placed in the additional channels of the aluminum track next to the tubular heater. The overall low mass construction and high thermal conductivity of the aluminum provides extremely uniform surface temperatures and rapid cooling cycles.

Cool Only Maxibands (MXC)

Stainless steel tubing for liquid cooling is placed in the aluminum track.

Construction Characteristics

Maxiband heaters are manufactured in five standard widths: 3/4", 1-1/2", 2-1/2", 3", and 4". They are available in a full range of standard diameters; construction variations for heating only, heat and cool, and cooling only; electrical ratings and a complete arrangement of various types of terminations to accommodate your specific application. For heating only standard sizes and ratings, see pages 1-82 through 1-86.

Maxiband MXB heaters, with heat and liquid cooling capabilities, incorporate stainless steel tubing placed in the additional channels of the aluminum track next to the tubular heater. The overall low mass construction and high thermal conductivity of the aluminum provides extremely uniform surface temperatures and rapid cooling cycles.

The low thermal expansion strap securely fastened to the aluminum track segments provides a built-in hinge, keeping both halves together at all times, making handling and installation easier. Specially designed integral mounting brackets are welded to the strap, providing the clamping force required to draw the heater assembly evenly and tightly to the cylinder.

PERFORMANCE RATINGS

Maximum Temperature: 650°F (350°C)

Nominal Watt Density: 35 W/in² (5.4 W/cm²)

ELECTRICAL RATINGS

Maximum Voltage: 277VAC per half

Maximum Wattage: Depends on diameter and number of elements used

Maximum Amperage: 30 amps per circuit

Resistance Tolerance: +10%, -5%

Wattage Tolerance: +5%, -10%

STANDARD GAP

Up to 11" ID—1/4" gap. As the diameter increases, the gap will also increase accordingly in order to accommodate the thermal expansion of the aluminum track.

HEATER THICKNESS — 1/2"

Designed for Durability and Trouble-Free Service

Tempco has been manufacturing Maxiband heaters since 1975. The Maxiband is a high quality, durable band heater providing more efficient heating and cooling as well as a longer life compared to other types of band heaters. Due to the rugged construction characteristics of this type of band heater, Maxiband has proven to be extremely valuable and has become the most sought after band heater of its type for plastic injection molding machines, extruders, and blow molding equipment. The initial cost is easily absorbed by the sharp reduction in downtime and labor costs involved in replacing burned-out, less efficient band heaters.

The straps are equipped with clamping brackets with 1/4"-20 socket head cap screws. On Maxibands exceeding 12" in diameter, spring-loaded screws provide the essential clamping force required in large diameter Maxibands to maintain positive contact with the cylinder being heated. On very large diameter Maxibands, the tubular element required becomes excessively long; therefore, two elements per half are used, each tubular element heating a 90° section of a Maxiband heater. In this case, two terminal boxes are required. A typical application for this type of Maxiband construction is heating the die heads of plastic blown film processing machines.

Maxiband heaters are constructed as sets. Each half consists of one tubular heating element and one aluminum track segment. The tubular heaters are always rated at half the total wattage of the set and full rated voltage. For better configuration on larger diameter cylinders, Maxibands exceeding 12" in diameter have the aluminum track segments in quadrants (see page 1-80 for details).

PHYSICAL SIZE CONSTRUCTION LIMITATIONS

Minimum Inside Diameter: 3-1/2" (Due to manufacturing constraints, some wattages/voltages may not be available in smaller heater sizes.)

Available Heater Widths

Maxiband Type	3/4"	1-1/2"	2-1/2"	3"	4"
Heating Only	•	•	•	•	•
Heat and Cool	N/A	N/A	•	•	•
Cooling Only	•	•	•	•	•

Cooling Tube Specifications

Heater Width	3/4"	1-1/2"	2-1/2"	3"	4"
Cooling Tube Diameter	3/8"	3/8"	3/8"	3/8"	3/8"
Cooling Tube Extension	4"	4"	4"	4"	4"
Cooling Tube Material	Stainless Steel				

Holes

Heater Width	3/4"	1-1/2"	2-1/2"	3"	4"
Maximum Size Hole	N/A	7/16"	7/16"	9/16"	9/16"

Hole is located in center of heater width; see page 8-17 for mounting hole location guidelines. For special hole arrangements, supply Tempco with a detailed drawing of your requirements.

Standard Sizes and Ratings

Stock and Standard (Non-Stock) Maxibands (Heat Only) — 0.75 in (19.1 mm) Width

Stock Items Are Shown In RED

ID		Wattage	Watt Density		Part Number		
in	mm		W/in ²	W/cm ²	60V	120V	240V
3½	88.9	310	41	6.4	MXH00100	—	—
4	101.6	325	37	5.8	MXH00101	—	—
4½	114.3	370	38	5.8	MXH00102	—	—
5½	139.7	455	37	5.8	—	MXH00103	—
6	152.4	500	37	5.8	—	MXH00104	—
6¼	158.8	600	43	6.7	—	MXH00105	—
7	177.8	600	38	5.9	—	MXH00107	—
8	203.2	660	36	5.7	—	MXH00108	—
10	254.0	850	37	5.8	—	—	MXH00109
10½	266.7	900	38	5.8	—	—	MXH00110
12	304.8	700	25	3.9	—	—	MXH00111
13	330.2	1000	33	5.2	—	—	MXH00112
20	508.0	1570	34	5.2	—	—	MXH00113
22	558.8	1240	24	3.8	—	—	MXH00114
25	635.0	1450	25	3.9	—	—	MXH00115
28	711.2	1100	17	2.6	—	—	MXH00116
28	711.2	2100	32	5.0	—	—	MXH00117

Stock and Standard (Non-Stock) Maxibands (Heat Only) — 1.5 in (38.1 mm) Width

Stock Items Are Shown In RED

ID		Wattage	Watt Density		Part Number	
in	mm		W/in ²	W/cm ²	120V	240V
3½	88.9	300	22	3.4	MXH00643	—
3½	88.9	315	23	3.6	MXH01140	—
3½	88.9	475	35	5.5	MXH01141	MXH00121
3½	88.9	500	37	5.7	MXH01142	—
3½	88.9	550	41	6.3	MXH01143	—
3¾	95.3	600	41	6.3	MXH01144	MXH00124
3¾	95.3	700	48	7.4	MXH01145	—
4	101.6	550	35	5.4	—	MXH00126
4	101.6	625	39	6.1	—	MXH00127
4	101.6	700	44	6.8	—	MXH00128
4	101.6	750	47	7.3	—	MXH00129
4	101.6	875	55	8.6	—	MXH00130
4¼	108.0	675	40	6.1	—	MXH00131
4¼	108.0	780	46	7.1	—	MXH00132
4⅜	111.1	675	38	5.9	—	MXH00133
4⅞	112.7	725	40	6.3	—	MXH00134
4½	114.3	500	27	4.3	—	MXH00136
4½	114.3	600	33	5.1	—	MXH00137
4½	114.3	650	36	5.5	—	MXH00138
4½	114.3	725	40	6.2	—	MXH00139
4½	114.3	810	44	6.9	—	MXH00140
4½	114.3	850	47	7.2	—	MXH00141
4¾	120.7	650	34	5.2	—	MXH00142
4¾	120.7	750	39	6.0	—	MXH00143
5	127.0	580	28	4.4	—	MXH00144
5	127.0	800	39	6.0	—	MXH00145
5	127.0	925	45	7.0	—	MXH00146
5	127.0	1400	68	10.6	—	MXH00147

ID		Wattage	Watt Density		Part Number
in	mm		W/in ²	W/cm ²	240V
5⅞	130.2	800	38	5.9	MXH00148
5¼	133.4	600	28	4.3	MXH00149
5¼	133.4	970	45	6.9	MXH00150
5¼	133.4	975	45	7.0	MXH00151
5¼	133.4	1000	46	7.1	MXH00152
5½	139.7	875	38	5.9	MXH00153
5½	139.7	950	41	6.4	MXH00154
5½	139.7	1015	44	6.9	MXH00155
5¾	146.1	900	37	5.8	MXH00156
5¾	146.1	950	39	6.1	MXH00157
6	152.4	710	28	4.4	MXH00159
6	152.4	750	30	4.6	MXH00160
6	152.4	950	38	5.8	MXH00161
6	152.4	1100	44	6.7	MXH00162
6¼	158.8	1000	38	5.9	MXH00163
6½	165.1	500	18	2.8	MXH00164
6½	165.1	750	27	4.2	MXH00165
6½	165.1	900	33	5.0	MXH00166
6½	165.1	950	34	5.3	MXH00167
6½	165.1	1000	36	5.6	MXH00168
6½	165.1	1050	38	5.9	MXH00169
6½	165.1	1200	43	6.7	MXH00170
6⅞	169.8	1000	35	5.4	MXH00171
6¾	171.5	1125	39	6.1	MXH00172
7	177.8	500	17	2.6	MXH00173
7	177.8	850	28	4.4	MXH00174
7	177.8	1000	33	5.2	MXH00175



Note: Part Numbers shown are for Maxiband Heaters with type “S” termination. For details see page 1-87.

Stock and Standard (Non-Stock) Maxibands (Heat Only) — 1.5 in (38.1 mm) Width

Stock Items Are Shown In RED

ID		Wattage	Watt Density		Part Number 240V
in	mm		W/in ²	W/cm ²	
7	177.8	1100	37	5.7	MXH00176
7	177.8	1300	43	6.7	MXH00177
7¼	184.2	1175	38	5.8	MXH00178
7½	190.5	900	28	4.3	MXH00179
7½	190.5	1200	37	5.8	MXH00180
7¾	193.7	1200	36	5.6	MXH00181
7¾	196.9	1250	37	5.8	MXH00182
8	203.2	550	16	2.5	MXH00183
8	203.2	800	23	3.6	MXH00184
8	203.2	1100	32	4.9	MXH00185
8	203.2	1200	35	5.4	MXH00186
8	203.2	1300	37	5.8	MXH00187
8	203.2	1475	43	6.6	MXH00188
8½	215.9	1175	32	4.9	MXH00189
8½	215.9	1200	32	5.0	MXH00190
8½	215.9	1375	37	5.8	MXH00191
8½	215.9	1400	38	5.9	MXH00192
8½	215.9	1500	40	6.3	MXH00193
8¾	222.3	1000	26	4.1	MXH00194
8¾	222.3	1400	37	5.7	MXH00195
9	228.6	1100	28	4.3	MXH00196
9	228.6	1390	35	5.5	MXH00197
9	228.6	1475	37	5.8	MXH00198
9	228.6	1550	39	6.1	MXH00199
9	228.6	1675	43	6.6	MXH00200
9¼	235.0	1450	36	5.5	MXH00201
9¼	235.0	1500	37	5.7	MXH00202
9½	241.3	1300	31	4.8	MXH00203
9½	241.3	1325	32	4.9	MXH00204
9½	241.3	1550	37	5.8	MXH00205
9½	241.3	1765	42	6.5	MXH00206
9¾	247.7	1810	42	6.5	MXH00207
10	254.0	1150	26	4.0	MXH00208
10	254.0	1350	31	4.7	MXH00209
10	254.0	1625	37	5.7	MXH00210
10¼	260.4	1425	31	4.9	MXH00211
10½	266.7	1450	31	4.8	MXH00212
10½	266.7	1700	37	5.7	MXH00213
11	279.4	1000	20	3.2	MXH00214
11	279.4	1300	27	4.1	MXH00215
11	279.4	1500	31	4.8	MXH00216
11	279.4	1775	36	5.6	MXH00217
11	279.4	2000	41	6.3	MXH00218
11¼	285.8	1825	36	5.7	MXH00219
11¼	285.8	2075	41	6.4	MXH00220
11½	292.1	1875	37	5.7	MXH00221
11¾	295.3	1875	36	5.6	MXH00222
11¾	298.5	1000	19	3.0	MXH00223
12	304.8	840	16	2.4	MXH00224
12	304.8	1250	23	3.6	MXH00225
12	304.8	1400	26	4.1	MXH00226
12	304.8	1950	36	5.6	MXH00227

ID		Wattage	Watt Density		Part Number 240V
in	mm		W/in ²	W/cm ²	
12	304.8	2000	37	5.8	MXH00228
12	304.8	2500	47	7.2	MXH00229
12½	317.5	2100	38	5.8	MXH00230
12¾	323.9	2100	37	5.7	MXH00231
13	330.2	1400	24	3.7	MXH00232
13	330.2	1500	26	4.0	MXH00233
13	330.2	1525	26	4.1	MXH00234
13	330.2	1800	31	4.8	MXH00235
13	330.2	2150	37	5.7	MXH00236
13¾	349.3	2265	37	5.7	MXH00237
13¾	354.0	2125	34	5.3	MXH00238
14	355.6	1200	19	3.0	MXH00239
14	355.6	1600	25	3.9	MXH00240
14	355.6	2275	36	5.6	MXH00241
14	355.6	2500	40	6.2	MXH00242
14	355.6	2600	41	6.4	MXH00243
14½	368.3	3100	47	7.4	MXH00244
15	381.0	1000	15	2.3	MXH00245
15	381.0	1450	21	3.3	MXH00246
15	381.0	1600	24	3.7	MXH00247
15	381.0	2100	31	4.8	MXH00248
15	381.0	2500	37	5.7	MXH00249
15	381.0	2750	41	6.3	MXH00250
15	381.0	2800	41	6.4	MXH00251
15½	393.7	2200	31	4.9	MXH00252
15½	393.7	3000	43	6.6	MXH00253
15¾	400.1	2500	35	5.4	MXH00254
15¾	400.1	2600	37	5.7	MXH00255
16	406.4	2200	30	4.7	MXH00256
16	406.4	4000	55	8.6	MXH00257
16½	419.1	2700	36	5.6	MXH00258
17	431.8	2400	31	4.8	MXH00259
18	457.2	2960	36	5.6	MXH00260
19	482.6	2200	25	3.9	MXH00261
20	508.0	2350	26	4.0	MXH00262
20	508.0	4000	44	6.8	MXH00263
21	533.4	2450	26	4.0	MXH00264
21¼	539.8	3500	36	5.6	MXH00265
21½	546.1	3500	36	5.5	MXH00266
22	558.8	2500	25	3.8	MXH00267
22½	571.5	3600	35	5.4	MXH00268
23¾	593.7	3850	36	5.6	MXH00269
24	609.6	3500	32	4.9	MXH00270
24½	622.3	3000	27	4.1	MXH00271
26	660.4	3000	25	3.9	MXH00272
28	711.2	3300	26	4.0	MXH00273
28	711.2	4220	33	5.1	MXH00274
30	762.0	3500	25	3.9	MXH00275
31	787.4	2900	20	3.1	MXH00276
33	838.2	3600	24	3.7	MXH00277
34	863.6	4800	31	4.7	MXH00278
35	889.0	4500	28	4.3	MXH00279
36	914.4	4200	25	3.9	MXH00280
37	939.8	5000	29	4.5	MXH00281
39	990.6	4400	24	3.8	MXH00282
45	1143.0	9000	43	6.7	MXH00283



Note: Part Numbers shown are for Maxiband Heaters with type "S" termination. For details see page 1-87.

Ordering Information

See page 1-86

Standard Sizes and Ratings

Stock and Standard (Non-Stock) Maxibands (Heat Only) — 2.5 in (63.5 mm) Width

Stock Items Are Shown In RED

ID		Wattage	Watt Density		Part Number 120V
in	mm		W/in ²	W/cm ²	
3½	88.9	350	16	2.4	MXH00286
3½	88.9	650	29	4.5	MXH00287
3½	88.9	775	34	5.3	MXH00288

ID		Wattage	Watt Density		Part Number 240V
in	mm		W/in ²	W/cm ²	
3½	88.9	975	43	6.7	MXH00289
3½	88.9	1300	58	9.0	MXH00290
3¾	95.3	975	40	6.2	MXH00291
4	101.6	900	34	5.3	MXH00292
4	101.6	1050	40	6.2	MXH00293
4¼	108.0	1125	40	6.1	MXH00294
4½	114.3	1025	34	5.2	MXH00295
4½	114.3	1200	40	6.1	MXH00296
4½	114.3	1500	49	7.7	MXH00297
5	127.0	1150	34	5.2	MXH00298
5	127.0	1325	39	6.0	MXH00299
5	127.0	1500	44	6.8	MXH00300
5¼	133.4	1200	33	5.1	MXH00301
5¼	133.4	1400	39	6.0	MXH00302
5½	139.7	1250	33	5.1	MXH00303
5½	139.7	1475	39	6.0	MXH00304
5½	139.7	2000	52	8.1	MXH00305
5⅞	141.3	1100	28	4.4	MXH00306
6	152.4	800	19	2.9	MXH00307
6	152.4	1150	27	4.2	MXH00308
6	152.4	1375	33	5.1	MXH00309
6	152.4	1600	38	5.9	MXH00310
6½	165.1	1750	38	5.9	MXH00311
6½	165.1	1800	39	6.1	MXH00312
6¾	171.5	1300	27	4.2	MXH00313
6¾	174.6	1300	27	4.1	MXH00314
7	177.8	1870	37	5.8	MXH00315
7	177.8	1974	39	6.1	MXH00316
7¼	184.2	2500	48	7.5	MXH00317
7½	190.5	1140	21	3.3	MXH00318
7½	190.5	1725	32	5.0	MXH00319
7½	190.5	2025	38	5.8	MXH00320
7⅞	193.7	1875	34	5.3	MXH00321
7⅞	200.0	1500	26	4.1	MXH00322
8	203.2	1850	32	5.0	MXH00323
8	203.2	2150	37	5.8	MXH00324
8¼	209.6	1300	22	3.4	MXH00325
8¼	209.6	1900	32	4.9	MXH00326
8½	215.9	1975	32	5.0	MXH00327
8½	215.9	2300	37	5.8	MXH00328
8¾	222.3	2000	31	4.9	MXH00329
8¾	222.3	2025	32	4.9	MXH00330
9	228.6	2425	37	5.7	MXH00331
9¼	235.0	2150	32	4.9	MXH00332
9⅞	239.7	2200	32	4.9	MXH00333
9½	241.3	2100	30	4.7	MXH00334
9½	241.3	2375	34	5.3	MXH00335
9½	241.3	2575	37	5.7	MXH00336
9¾	247.7	2250	31	4.9	MXH00337
9¾	247.7	2625	37	5.7	MXH00338
9⅞	250.8	1500	21	3.2	MXH00339
10	254.0	1350	18	2.8	MXH00340

ID		Wattage	Watt Density		Part Number 240V
in	mm		W/in ²	W/cm ²	
10	254.0	2325	32	4.9	MXH00341
10	254.0	2700	37	5.7	MXH00342
10¼	260.4	2375	31	4.9	MXH00343
10½	266.7	2850	37	5.7	MXH00344
11	279.4	2125	26	4.0	MXH00345
11	279.4	2550	31	4.9	MXH00346
11	279.4	2975	37	5.7	MXH00347
11⅞	290.5	3050	36	5.6	MXH00348
11½	292.1	3050	36	5.5	MXH00349
12	304.8	1875	21	3.3	MXH00350
12	304.8	2250	25	3.9	MXH00351
12	304.8	2800	31	4.9	MXH00352
12	304.8	3250	36	5.6	MXH00353
12⅞	309.5	3370	37	5.8	MXH00354
12½	317.5	1450	16	2.4	MXH00355
12½	317.5	3000	32	5.0	MXH00356
12½	317.5	3425	37	5.7	MXH00357
12⅞	319.1	1600	17	2.6	MXH00358
12⅞	320.7	2375	25	3.9	MXH00359
12⅞	320.7	3000	32	4.9	MXH00360
13	330.2	3200	33	5.1	MXH00361
13	330.2	3575	37	5.7	MXH00362
13	330.2	4300	44	6.9	MXH00363
13⅞	334.9	3275	33	5.1	MXH00364
13¾	342.9	3710	37	5.7	MXH00365
13¾	349.3	3775	37	5.7	MXH00366
14	355.6	1500	14	2.2	MXH00367
14	355.6	1900	18	2.8	MXH00368
14	355.6	2200	21	3.2	MXH00369
14	355.6	3000	29	4.4	MXH00370
14	355.6	3500	33	5.2	MXH00371
14	355.6	3850	37	5.7	MXH00372
14	355.6	5000	48	7.4	MXH00373
14⅞	379.4	2725	24	3.8	MXH00374
14⅞	379.4	3725	33	5.1	MXH00375
15	381.0	3540	31	4.9	MXH00376
15	381.0	4800	43	6.6	MXH00377
15⅞	385.7	2300	20	3.1	MXH00378
15⅞	404.8	3125	26	4.0	MXH00379
16	406.4	4000	33	5.1	MXH00380
16	406.4	5000	41	6.4	MXH00381
18	457.2	4250	31	4.8	MXH00382
18	457.2	4600	34	5.2	MXH00383
18	457.2	5200	38	5.9	MXH00384
19	482.6	5200	36	5.6	MXH00385
20	508.0	5000	33	5.1	MXH00386
20	508.0	5500	36	5.6	MXH00387
21	533.4	4950	31	4.8	MXH00388
21	533.4	7000	44	6.8	MXH00389
36	914.4	7000	25	3.9	MXH00390



Note: Part Numbers shown are for Maxiband Heaters with type "S" termination. For details see page 1-87.

Stock and Standard (Non-Stock) Maxibands (Heat Only) — 3 in (76.2 mm) Width

Stock Items Are Shown In RED

ID		Wattage	Watt Density		Part Number 240V
in	mm		W/in ²	W/cm ²	
3½	88.9	500	19	2.9	MXH00391
3½	88.9	600	22	3.4	MXH00392
4½	114.3	1500	41	6.4	MXH00393
5	127.0	1390	34	5.2	MXH00394
5	127.0	1800	44	6.8	MXH00395
5¼	133.4	1475	34	5.3	MXH00396
5½	139.7	1560	34	5.3	MXH00397
5¾	146.1	1625	34	5.2	MXH00398
6	152.4	1100	22	3.4	MXH00399
6	152.4	1500	30	4.6	MXH00400
6	152.4	1720	34	5.3	MXH00401
6¼	158.8	1770	33	5.2	MXH00402
6½	165.1	1820	33	5.1	MXH00403
6¾	171.5	1900	33	5.1	MXH00404
7	177.8	1200	20	3.1	MXH00405
7	177.8	2000	33	5.2	MXH00406
7¼	184.2	2050	33	5.1	MXH00407
7½	190.5	2120	33	5.1	MXH00408
7¾	196.9	2200	33	5.1	MXH00409
8	203.2	2270	33	5.1	MXH00410
8¼	209.6	1800	25	3.9	MXH00411
8¼	209.6	2325	32	5.0	MXH00412
8½	215.9	2410	33	5.0	MXH00413
8¾	222.3	2475	32	5.0	MXH00414
9	228.6	1800	23	3.5	MXH00415
9	228.6	2200	28	4.3	MXH00416
9	228.6	2300	29	4.5	MXH00417
9	228.6	2600	33	5.1	MXH00418
9	228.6	2700	34	5.3	MXH00419
9¼	235.0	2600	32	5.0	MXH00420
9½	241.3	2675	32	5.0	MXH00421
9¾	247.7	2750	32	5.0	MXH00422
10	254.0	2000	23	3.5	MXH00423
10	254.0	2820	32	5.0	MXH00424
10¼	260.4	2900	32	5.0	MXH00425
10½	266.7	2975	32	5.0	MXH00426

ID		Wattage	Watt Density		Part Number 240V
in	mm		W/in ²	W/cm ²	
10¼	273.1	3025	32	4.9	MXH00427
11	279.4	2000	20	3.2	MXH00428
11	279.4	3100	32	4.9	MXH00429
11¼	285.8	2500	25	3.9	MXH00430
11¼	285.8	3175	32	4.9	MXH00431
11½	292.1	2000	20	3.0	MXH00432
11½	292.1	2710	26	4.1	MXH00433
11½	292.1	3250	32	4.9	MXH00434
11¾	298.5	3325	32	4.9	MXH00435
12	304.8	2000	19	2.9	MXH00436
12	304.8	2830	26	4.1	MXH00437
12	304.8	3400	32	4.9	MXH00438
12¼	311.2	3475	32	4.9	MXH00439
12½	317.5	2400	21	3.3	MXH00440
12½	317.5	3000	27	4.2	MXH00441
12½	317.5	3525	32	4.9	MXH00442
12¾	323.9	3600	32	4.9	MXH00443
13	330.2	3670	31	4.9	MXH00444
13¼	336.6	3750	32	4.9	MXH00445
13½	342.9	3280	27	4.2	MXH00446
13½	342.9	3800	31	4.9	MXH00447
13¾	349.3	3870	31	4.9	MXH00448
14	355.6	3760	30	4.6	MXH00449
14	355.6	3950	31	4.9	MXH00450
15	381.0	3535	26	4.0	MXH00451
15½	393.7	4000	29	4.4	MXH00452
19	482.6	5400	31	4.8	MXH00453
19½	495.3	5500	31	4.8	MXH00454
22	558.8	8000	40	6.2	MXH00455
26	660.4	8000	33	5.2	MXH00456
29	736.6	9000	34	5.2	MXH00457
30	762.0	7500	27	4.2	MXH00458
30	762.0	9500	34	5.3	MXH00459



Note: Part Numbers shown are for Maxiband Heaters with type "S" termination. For details see page 1-87.

Ordering Information

See page 1-86

CONTINUED 

Band Heaters



Standard Sizes and Ratings

Standard (Non-Stock) Maxibands (Heat Only) — 4 in (101.6 mm) Width

Continued from previous page...

ID		Wattage	Watt Density		Part Number 240V
in	mm		W/in ²	W/cm ²	
5	127.0	1870	34	5.3	MXH00460
5¼	133.4	1970	34	5.3	MXH00461
5½	139.7	1025	17	2.6	MXH00462
5½	139.7	1800	29	4.6	MXH00463
5½	139.7	2075	34	5.3	MXH00464
5½	139.7	2500	41	6.3	MXH00465
5¾	146.1	2175	34	5.2	MXH00466
6	152.4	2285	34	5.3	MXH00467
6¼	158.8	2370	34	5.2	MXH00468
6½	165.1	2475	34	5.2	MXH00469
6¾	171.5	2575	34	5.2	MXH00470
7	177.8	2675	33	5.2	MXH00471
7¼	184.2	2750	33	5.1	MXH00472
7½	190.5	2845	33	5.1	MXH00473

ID		Wattage	Watt Density		Part Number 240V
in	mm		W/in ²	W/cm ²	
7¾	196.9	2950	33	5.1	MXH00474
8	203.2	2250	24	3.8	MXH00475
8	203.2	3050	33	5.1	MXH00476
8¼	209.6	3050	32	4.9	MXH00477
8½	215.9	3545	36	5.6	MXH00478
8¾	222.3	3350	33	5.1	MXH00479
9¼	235.0	3545	33	5.1	MXH00480
11¼	298.5	3000	21	3.3	MXH00481
14	355.6	5500	33	5.1	MXH00482
14¼	362.0	5150	30	4.7	MXH00483
15	381.0	6000	33	5.2	MXH00484
16½	419.1	6500	33	5.1	MXH00485
20	508.0	4000	16	2.5	MXH00486
20	508.0	5500	23	3.5	MXH00487



Note: Part Numbers shown are for Maxiband Heaters with type “S” termination. For details see page 1-87.

Ordering Information

Stock Heaters

Select a Stock Maxiband Heater (identified by a **RED** part number) from the Standard Sizes and Ratings Lists on Pages 1-82 through 1-86. Part Numbers shown are for Maxiband Heaters with type “S” termination.

Stock heaters can be modified to the following terminations:

Type **C**—Outlet terminal box

Type **P2**—Low profile high temp. quick disconnect

Type **W3**—Wire braid leads

Type **TS**—Contamination seal

A Part Number will be issued at time of order.

Custom Engineered/Manufactured Heaters

An electric heater can be very application specific; for sizes and ratings not listed **TEMPCO** will design and manufacture a Maxiband Heater to meet your requirements. **Standard lead time is 3 weeks.**

Please Specify the following:

- | | |
|--|---|
| <input type="checkbox"/> Inside Diameter | <input type="checkbox"/> Termination |
| <input type="checkbox"/> Width | <input type="checkbox"/> Construction |
| <input type="checkbox"/> Total Wattage | <input type="checkbox"/> Clamping |
| <input type="checkbox"/> Voltage per half | <input type="checkbox"/> Special Features |
| <input type="checkbox"/> Lead Cable/Braid Length | <input type="checkbox"/> Quantity |

⚠ WARNING: Cancer and Reproductive Harm - www.P65Warnings.ca.gov.

Maxiband Terminal Lug Termination

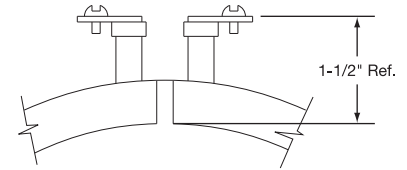


Type S—Standard Terminal Lugs

Terminal Lugs with 10-32 binding head screws.



Note: Standard on all Maxiband heaters unless otherwise specified.



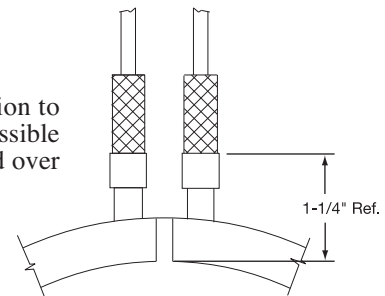
Abrasion Resistant Lead Terminations



Type W3—Wire Braid Leads

Stainless Steel Wire Braid provides strength and protection to the lead wire's insulation and offers sharp bending not possible with armor cable. The standard leads are 20" of wire braid over 24" of flexible leads.

If longer leads are required, specify when ordering.

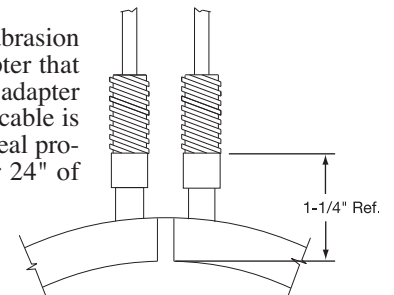


Type R1□—Armor Cable Leads

Armor Cable provides excellent protection against abrasion and contaminants. The cable exits through an adapter that encapsulates both elements' ends on each half. The adapter tube is tack welded to the heating element and the cable is crimped to the adapter for maximum security and seal protection. The standard leads are 20" of cable over 24" of flexible leads.

If longer leads are required, specify when ordering.

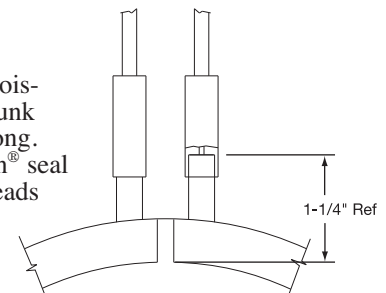
Type R1A — Galvanized Armor Cable
Type R1B — Stainless Steel Armor Cable



Type TS—Leads with Contamination Seal

Teflon® shrinkdown sleeving provides a good moisture and contamination seal. The sleeving is shrunk down on the element ends and is about 3-1/2" long. The maximum temperature allowed at the Teflon® seal sleeve is 500°F (260°C). The standard flexible leads are 24" in length.

If longer leads are required, specify when ordering.



CONTINUED 

Maxiband Terminal Protection Terminations

Continued from previous page...



Type EP—Explosion and Moisture Resistant Box

Maxiband heaters can be made with an explosion/moisture resistant box brazed on to the heater.



Explosion resistant terminal housings are intended to provide containment of an explosion in the enclosure only. No portion of the heater assembly outside the enclosure is covered under this NEMA rating.

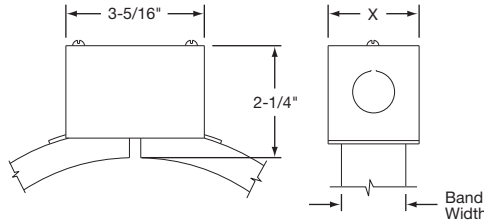
Abnormal use of a heater which results in excessive temperature can create hazardous conditions such as a fire. Never perform any type of service nor remove the housing cover prior to disconnecting all electrical power to the heater.

Type C3—General Purpose Terminal Boxes

Terminal Boxes provide a simple and economical way to eliminate all live exposed terminals and electrical wiring that can be a potential hazard. The boxes have a 1/2" trade size knockout (actual diameter 7/8") for standard connectors. The standard termination is Type S, Terminal Lugs. Heaters can be factory prewired with high temperature lead wire, armor cable or stainless steel wire braid.

- C3A**—Standard box only
- C3B**—w/galvanized armor
- C3C**—w/stainless steel armor
- C3D**—w/wire braid

Band Width	"X"
1-1/2"	1-7/8"
2-1/2"	2-7/8"
3"	3-3/8"
4"	4-3/8"

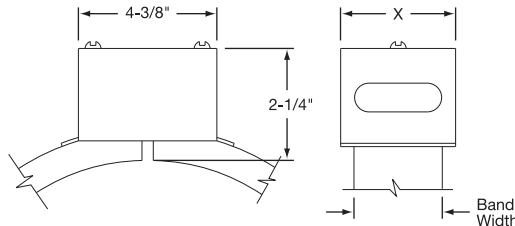


Type P2—Quick Disconnect High Temperature Plug

Quick Disconnect Plug assemblies are highly recommended to provide the simplest and safest way to apply power to band heater installations.

- P2A**—Box and cup only
- P2B**—w/straight plug
- P2C**—w/str. plug and galvanized cable
- P2D**—w/str. plug and SS cable
- P2E**—w/str. plug and wire braid

Band Width	"X"
1-1/2"	1-7/8"
2-1/2"	2-7/8"
3"	3-3/8"
4"	4-3/8"



Plug Electrical Ratings

2-Pole 3-Wire Grounding

Max. Amps: 16

Max. Volts: 250 VAC

Max. Temperature: 572°F (300°C)

Maxiband Special Construction Variations



Type EC—Insulated Shroud

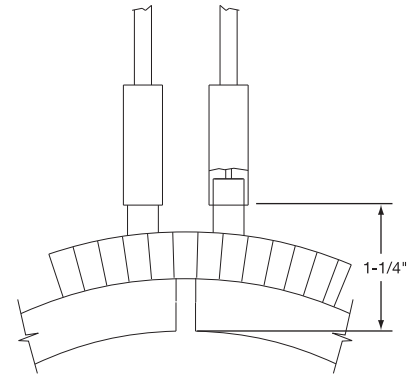
Insulated Shroud provides energy savings.

Available on all Maxiband widths except 3/4".

The shrouds are a separate component part and fit over the Maxiband heater.

Insulated shrouds to cover entire heat zones are available and are made to customer specifications.

When ordering or for quoting, supply Tempco with a detailed drawing outlining your requirements.

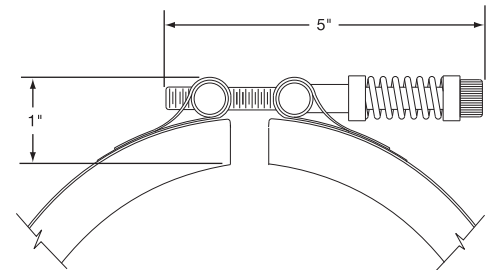


Type SL—Spring-Loaded Clamping

On Maxiband heaters over 12" in diameter, the aluminum tracks are in segments for better configuration, and the straps are equipped with two or more Spring-Loaded Clamping Brackets.

For excessively large diameters, four tubular heaters will be used, each heating a 90° section of the total diameter. When terminal boxes are required, two boxes will be used.

NOTE: See page 1-80 for clamping quantity and location details.



Type RC—Reverse Construction

Reverse Maxibands lend themselves to heating cylindrical surfaces from the inside out.

The specially designed internal brackets exert pressure to both heater halves to assure good contact against the inside diameter of the part being heated. Reverse HLC Maxiband minimum OD is 5-1/2".

Made strictly to customer specifications.

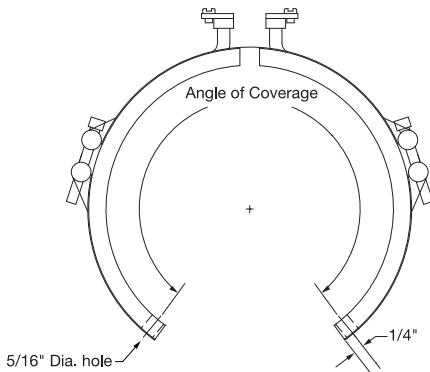
Due to size/construction restrictions, some termination styles are not possible.

Consult Tempco with your requirements.

Maxiband Special Construction Variations

Partial Coverage

Partial coverage band heaters are normally required when holes and cutouts will not allow the heater to sufficiently clear the machine obstructions. The preferred method of construction is the 2-Piece Maxiband Heater with Built-In Brackets. The heater is screwed down to the cylinder at the ends and the Built-In Brackets pull the heater tightly against the cylinder being heated. It is available with all types of construction and termination variations. When ordering provide the angle of coverage from center to center of the mounting screw holes as shown.



Additional Maxiband Heater Optional Features

Electrical Variations

Dual Voltage — Maxiband heaters can be designed using series/parallel circuits for dual voltage applications. Whether the heater is run on the higher or lower voltage, the wattage will be the same. Dual Voltage is available on all Maxiband heater widths except 3/4".

Ground Terminal or Lead — For those applications requiring a separate ground terminal or lead attached to the heater. A Ground Terminal or Lead is available on any construction or termination variation.

Lead Variations

Electrical Plugs — Industry standard NEMA twist lock electrical connectors are available. The plugs can be attached to fiberglass leads, armor cable or wire braid. Electrical Plugs can be added to any clamping, construction or termination variation.

Terminal Lugs — Various types of crimp terminals can be attached to the heater leads to make wiring into applications quick and easy. High temperature 1200°F (649°C) ring terminals and nylon or PVC insulated terminals are available. Spade, ring, and right-angle or straight quick disconnect type terminals can be attached to the leads.

Extra Cooling Tube Length — The standard cooling tube length is 4". Longer lengths can be provided; please specify when ordering.

Type SC—Square or Rectangular

Square or Rectangular heaters, normally used for heating dies on plastic extruders, are made in a two-piece construction for better clamping and to provide good surface contact. Made strictly to customer specifications. When ordering or for quotation purposes, supply a detailed drawing or sample part.

Consult Tempco with your requirements.



Maxiband “MXB” Heat & Cool with Built-In Cooling Tubes

Maxiband heaters have an exceptionally long operating heater life when compared to other types of band heaters. Highly recommended whenever applicable as an economical alternative to more expensive cast-in aluminum heat and cool band heaters. Available in three different widths: 2-1/2", 3", and 4".

Minimum Inside Diameter: 5".

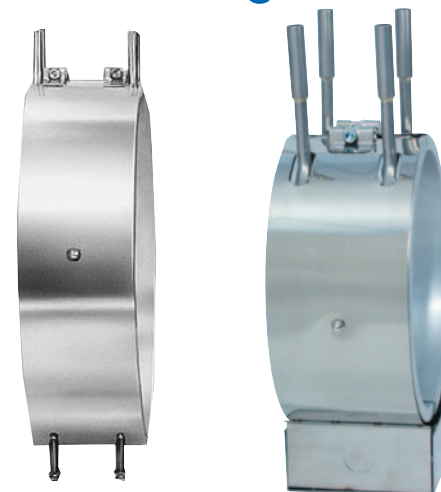
Consult Tempco if smaller ID is required.

For **complete specifications and terminations** see pages 1-87 through 1-90.

For **cooling tube fittings**, see page 3-52 in the Cast-In Band Heater Section.

Design Features

- * **Rugged Durable Construction**
- * **Withstands Vibration**
- * **Excellent Temperature Uniformity**
- * **Excellent Heat Transfer**
- * **Contamination Resistant**



Standard (Non-Stock) HLC Maxibands (Heat & Cool) — 3 in (76.2 mm) Width with 3/8" Diameter Cooling Tube

ID		Wattage	Watt Density		Part Number 240V
in	mm		W/in ²	W/cm ²	
5	127.0	1050	26	4.0	MXB00001
5	127.0	1390	34	5.2	MXB00002
5	127.0	1800	44	6.8	MXB00003
5¼	133.4	1475	34	5.3	MXB00004
5½	139.7	1175	26	4.0	MXB00005
5½	139.7	1560	34	5.3	MXB00006
5¾	146.1	1625	34	5.2	MXB00007
6	152.4	800	16	2.5	MXB00008
6	152.4	1100	22	3.4	MXB00009
6	152.4	1275	25	3.9	MXB00010
6	152.4	1500	30	4.6	MXB00011
6	152.4	1720	34	5.3	MXB00012
6¼	158.8	1300	25	3.8	MXB00013
6¼	158.8	1770	33	5.2	MXB00014
6¼	158.8	1300	25	3.8	MXB00015
6½	165.1	1375	25	3.9	MXB00016
6½	165.1	1820	33	5.1	MXB00017
6¾	171.5	1900	33	5.1	MXB00018
7	177.8	1200	20	3.1	MXB00019
7	177.8	1500	25	3.9	MXB00020
7	177.8	2000	33	5.2	MXB00021
7¼	184.2	2050	33	5.1	MXB00022
7½	190.5	1600	25	3.8	MXB00023
7½	190.5	2120	33	5.1	MXB00024
7¾	196.9	2200	33	5.1	MXB00025
8	203.2	1700	24	3.8	MXB00026
8	203.2	2270	33	5.1	MXB00027
8¼	209.6	2325	32	5.0	MXB00028
8½	215.9	1800	24	3.8	MXB00029
8½	215.9	2410	33	5.0	MXB00030
8¾	222.3	2475	32	5.0	MXB00031
9	228.6	1800	23	3.5	MXB00032
9	228.6	1900	24	3.7	MXB00033
9	228.6	2300	29	4.5	MXB00034
9	228.6	2600	33	5.1	MXB00035
9¼	235.0	1950	24	3.7	MXB00036

ID		Wattage	Watt Density		Part Number 240V
in	mm		W/in ²	W/cm ²	
9¼	235.0	2600	32	5.0	MXB00037
9½	241.3	2000	24	3.7	MXB00038
9½	241.3	2675	32	5.0	MXB00039
9¾	247.7	2050	24	3.7	MXB00040
9¾	247.7	2750	32	5.0	MXB00041
10	254.0	2000	23	3.5	MXB00042
10	254.0	2820	32	5.0	MXB00043
10¼	260.4	2900	32	5.0	MXB00044
10½	266.7	2250	24	3.8	MXB00045
10½	266.7	2975	32	5.0	MXB00046
10¾	273.1	3025	32	4.9	MXB00047
11	279.4	2000	20	3.2	MXB00048
11	279.4	3100	32	4.9	MXB00049
11¼	285.8	3175	32	4.9	MXB00050
11½	292.1	2000	20	3.0	MXB00051
11½	292.1	2450	24	3.7	MXB00052
11½	292.1	3250	32	4.9	MXB00053
11½	292.1	3500	34	5.3	MXB00054
11¾	298.5	3325	32	4.9	MXB00055
12	304.8	2000	19	2.9	MXB00056
12	304.8	2550	24	3.7	MXB00057
12	304.8	3400	32	4.9	MXB00058
12¼	311.2	3475	32	4.9	MXB00059
12½	317.5	2400	21	3.3	MXB00060
12½	317.5	2900	26	4.0	MXB00061
12½	317.5	3000	27	4.2	MXB00062
12½	317.5	3525	32	4.9	MXB00063
12¾	323.9	3600	32	4.9	MXB00064
13	330.2	3670	31	4.9	MXB00065
13½	342.9	3280	27	4.2	MXB00066
13½	342.9	3800	31	4.9	MXB00067
14	355.6	3950	31	4.9	MXB00068
15½	393.7	4000	29	4.4	MXB00069
19	482.6	5400	31	4.8	MXB00070
26	660.4	8000	33	5.2	MXB00071
29	736.6	9000	34	5.2	MXB00072
30	762.0	9500	34	5.3	MXB00073

CONTINUED

Standard Sizes and Ratings

Standard (Non-Stock) HLC (Heat & Cool) Maxibands 4 in (101.6 mm) Width with 3/8" Diameter Cooling Tube

Continued from previous page...

ID		Wattage	Watt Density		Part Number 240V
in	mm		W/in ²	W/cm ²	
5	127.0	1870	34	5.3	MXB00074
5¼	133.4	1970	34	5.3	MXB00075
5½	139.7	1025	17	2.6	MXB00076
5½	139.7	1500	25	3.8	MXB00077
5½	139.7	1800	29	4.6	MXB00078
5½	139.7	2075	34	5.3	MXB00079
5½	139.7	2500	41	6.3	MXB00080
5¾	146.1	2175	34	5.2	MXB00081
6	152.4	2285	34	5.3	MXB00082
6¼	158.8	2370	34	5.2	MXB00083
6½	165.1	2475	34	5.2	MXB00084
6¾	171.5	2575	34	5.2	MXB00085
7	177.8	2675	33	5.2	MXB00086
7¼	184.2	2750	33	5.1	MXB00087
7½	190.5	2845	33	5.1	MXB00088
7¾	196.9	2950	33	5.1	MXB00089
8	203.2	2250	24	3.8	MXB00090
8	203.2	3050	33	5.1	MXB00091
8½	215.9	3255	33	5.1	MXB00092
8¾	222.3	3350	33	5.1	MXB00093

ID		Wattage	Watt Density		Part Number 240V
in	mm		W/in ²	W/cm ²	
9	228.6	3450	33	5.1	MXB00094
9¼	235.0	3545	33	5.1	MXB00095
9½	241.3	3620	33	5.0	MXB00096
9¾	247.7	3725	33	5.0	MXB00097
10	254.0	3820	32	5.0	MXB00098
10½	266.7	4030	33	5.0	MXB00099
11	279.4	4230	32	5.0	MXB00100
11¼	285.8	4325	32	5.0	MXB00101
11½	292.1	4420	32	5.0	MXB00102
11¾	298.5	4500	32	5.0	MXB00103
12	304.8	4600	32	5.0	MXB00104
12½	317.5	4800	32	5.0	MXB00105
12¾	323.9	4900	32	5.0	MXB00106
13¼	342.9	5250	32	5.0	MXB00107
14	355.6	5500	33	5.1	MXB00108
15	381.0	6000	33	5.2	MXB00109
20	508.0	7700	32	4.9	MXB00110

Ordering Information

Standard Heaters

Select a Maxiband MXB from the Standard Sizes and Ratings List on pages 1-91 and 1-92.

If not otherwise specified, MXB heaters are supplied with type "S" termination and 4" long plain cooling tubes.

Custom Engineered/Manufactured Heaters

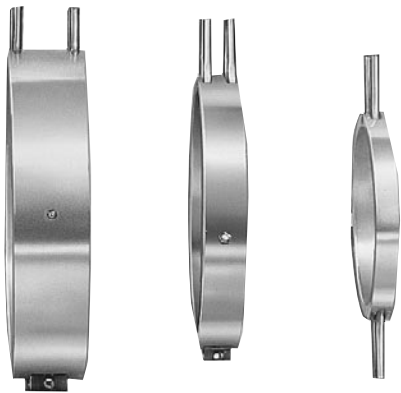
An electric heater can be very application specific; for sizes and ratings not listed **TEMPCO** will design and manufacture a Maxiband Heater to meet your requirements. **Standard lead time is 3 weeks.**

Please Specify the following:

- | | |
|--|---|
| <input type="checkbox"/> Inside Diameter | <input type="checkbox"/> Termination |
| <input type="checkbox"/> Width | <input type="checkbox"/> Construction |
| <input type="checkbox"/> Total Wattage | <input type="checkbox"/> Clamping |
| <input type="checkbox"/> Voltage per half | <input type="checkbox"/> Special Features |
| <input type="checkbox"/> Lead Cable/Braid Length | <input type="checkbox"/> Quantity |

⚠ WARNING: Cancer and Reproductive Harm - www.P65Warnings.ca.gov.

Maxiband “MXC” Cool Only *with* Built-In Cooling Tubes



Maxiband MXC Bands are made for cooling only and are available in five standard widths: 3/4", 1-1/2", 2-1/2", 3", and 4". For 3/4" and 1-1/2" wide MXC bands the ends of the stainless steel cooling tubes exit 180° apart. Complete Maxiband specifications can be found on page 1-81.

Minimum Inside Diameter: 5".

Consult Tempco if smaller ID is required.

For **optional cooling tube fittings**, see page 3-52 in the Cast-In Band Heater Section.

Cooling Tube Specifications

Band Width	3/4"	1-1/2"	2-1/2"	3"	4"
Cooling Tube Diameter	3/8"	3/8"	3/8"	3/8"	3/8"
Cooling Tube Extension	4"	4"	4"	4"	4"
Cooling Tube Material	Stainless Steel				



Optional Reverse Construction

Reverse MXC Maxibands lend themselves to cooling cylindrical surfaces from the inside out.

The specially designed internal brackets exert pressure to both heater halves to assure good contact against the inside diameter of the part being cooled. Reverse MXC Maxiband minimum OD is 8". Consult Tempco if smaller OD is required.

Made strictly to customer specifications.

Consult Tempco with your requirements.

Standard (Non-Stock) MXC (Cool Only) Maxibands — with 3/8" Diameter Cooling Tube

0.75 in (19.1 mm) Width

Width		ID		Part Number
in	mm	in	mm	
3/4	19.1	6	152.4	MXC00001
3/4	19.1	6½	165.1	MXC00002
3/4	19.1	7	177.8	MXC00003
3/4	19.1	7½	190.5	MXC00004
3/4	19.1	8	203.2	MXC00005
3/4	19.1	8½	215.9	MXC00006
3/4	19.1	9	228.6	MXC00007
3/4	19.1	9½	241.3	MXC00008
3/4	19.1	10	254.0	MXC00009
3/4	19.1	10½	266.7	MXC00010
3/4	19.1	11	279.4	MXC00011

1.5 in (38.1 mm) Width

Width		ID		Part Number
in	mm	in	mm	
1½	38.1	6	152.4	MXC00012
1½	38.1	6½	165.1	MXC00013
1½	38.1	7	177.8	MXC00014
1½	38.1	7½	190.5	MXC00015
1½	38.1	8	203.2	MXC00016
1½	38.1	8½	215.9	MXC00017
1½	38.1	9	228.6	MXC00018
1½	38.1	9½	241.3	MXC00019
1½	38.1	10	254.0	MXC00020
1½	38.1	10½	266.7	MXC00021
1½	38.1	11	279.4	MXC00022

Ordering Information

See page 1-94

CONTINUED →

Maxiband

Standard (Non-Stock) MXC (Cool Only) Maxibands — with 3/8" Diameter Cooling Tube

Continued from previous page...

2.5 in (63.5 mm) Width

Width		ID		Part Number
in	mm	in	mm	
2½	63.5	6	152.4	MXC00025
2½	63.5	6½	165.1	MXC00026
2½	63.5	7	177.8	MXC00027
2½	63.5	7½	190.5	MXC00028
2½	63.5	8	203.2	MXC00029
2½	63.5	8½	215.9	MXC00030
2½	63.5	9	228.6	MXC00031
2½	63.5	9½	241.3	MXC00032
2½	63.5	10	254.0	MXC00033
2½	63.5	10½	266.7	MXC00034
2½	63.5	11	279.4	MXC00035

3 in (76.2 mm) Width

Width		ID		Part Number
in	mm	in	mm	
3	76.2	6	152.4	MXC00037
3	76.2	6½	165.1	MXC00038
3	76.2	7	177.8	MXC00039
3	76.2	7½	190.5	MXC00040
3	76.2	8	203.2	MXC00041
3	76.2	8½	215.9	MXC00042
3	76.2	9	228.6	MXC00043
3	76.2	9½	241.3	MXC00044
3	76.2	10	254.0	MXC00045
3	76.2	10½	266.7	MXC00046
3	76.2	11	279.4	MXC00047
3	76.2	11½	292.1	MXC00048
3	76.2	12	304.8	MXC00049
3	76.2	12½	317.5	MXC00050
3	76.2	13	330.2	MXC00051
3	76.2	13½	342.9	MXC00052
3	76.2	14	355.6	MXC00053

4 in (101.6 mm) Width

Width		ID		Part Number
in	mm	in	mm	
4	101.6	6	152.4	MXC00055
4	101.6	6½	165.1	MXC00056
4	101.6	7	177.8	MXC00057
4	101.6	7½	190.5	MXC00058
4	101.6	8	203.2	MXC00059
4	101.6	8½	215.9	MXC00060
4	101.6	9	228.6	MXC00061
4	101.6	9½	241.3	MXC00062
4	101.6	10	254.0	MXC00063
4	101.6	10½	266.7	MXC00064
4	101.6	11	279.4	MXC00065
4	101.6	11½	292.1	MXC00066
4	101.6	12	304.8	MXC00067
4	101.6	12½	317.5	MXC00068
4	101.6	13	330.2	MXC00069
4	101.6	13½	342.9	MXC00070
4	101.6	14	355.6	MXC00071

Ordering Information

Standard

Select a Maxiband MXC from the Standard Sizes listed on pages 1-93 and 1-94.

If not otherwise specified, MXC bands are supplied with 4" long plain cooling tubes.

Custom Engineered/Manufactured Bands

Understanding that a cooling band can be very application specific, for sizes not listed **TEMPCO** will design and manufacture a Maxiband Cool Only to meet your requirements. **Standard lead time is 2 weeks.**

Please Specify the following:

- | | |
|---|---------------------------------------|
| <input type="checkbox"/> Inside Diameter | <input type="checkbox"/> Clamping |
| <input type="checkbox"/> Width | <input type="checkbox"/> Construction |
| <input type="checkbox"/> Special Features | <input type="checkbox"/> Quantity |

⚠ WARNING: Cancer and Reproductive Harm - www.P65Warnings.ca.gov.