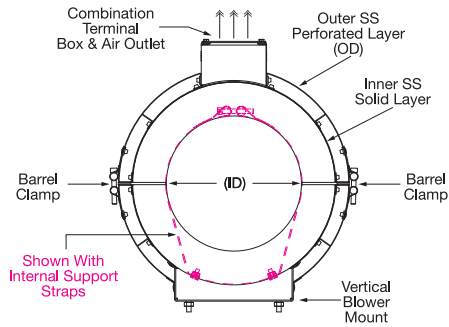
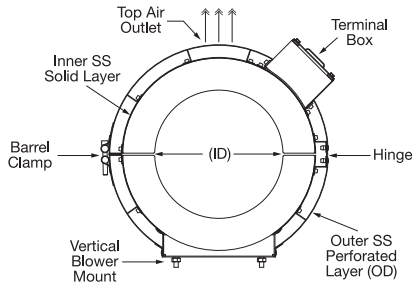


Existing Cool TO-THE Touch Extruder Heat/Cool System Reference Shroud Drawings

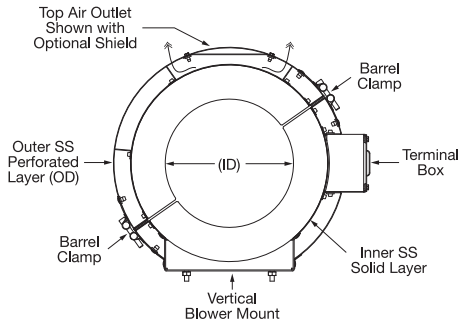
Vertical Blower Mounts



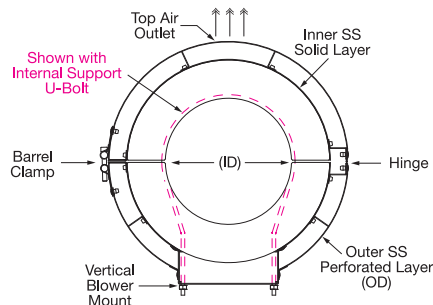
Drawing CT1



Drawing CT2

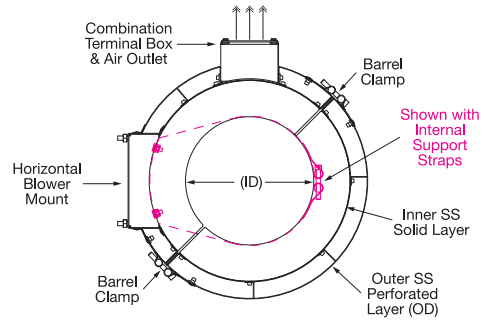


Drawing CT3

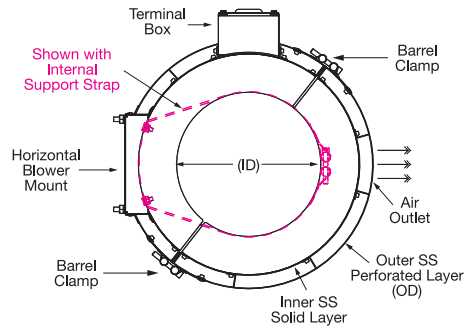


Drawing CT4

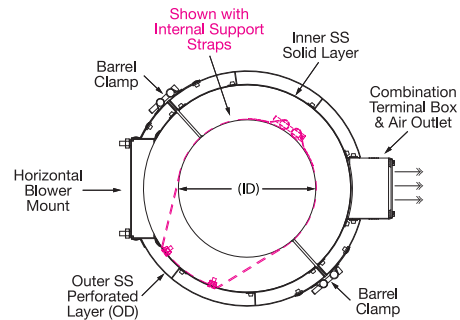
Horizontal Blower Mounts



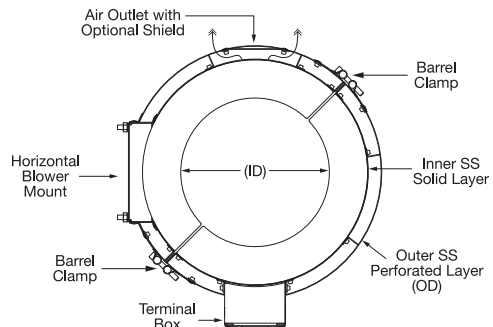
Drawing CT5



Drawing CT6



Drawing CT7



Drawing CT8