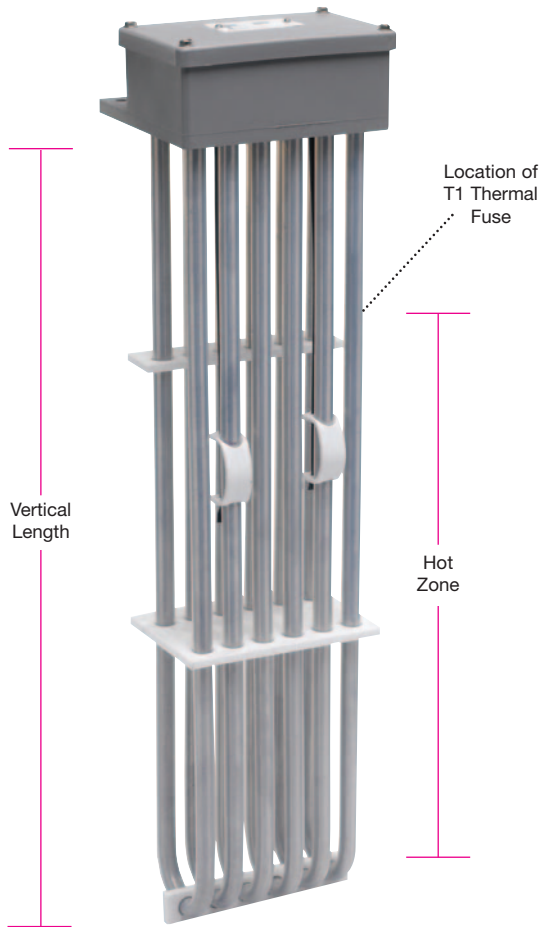


Fluoropolymer (PTFE) Six-Element Over-the-Side Heater



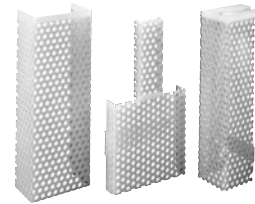
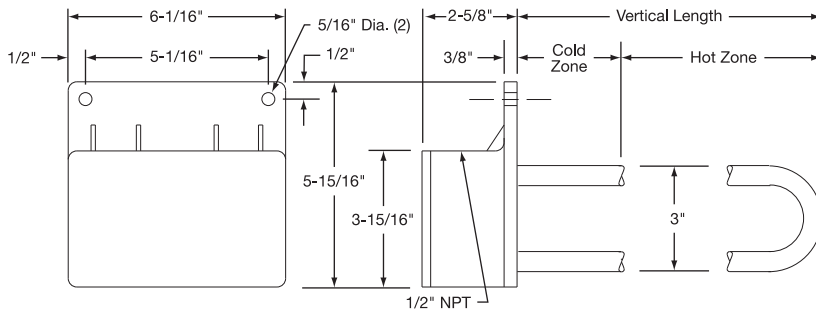
Typical Applications

Compatible with most plating tank solutions; inert to acids, anodizing and pickling solutions up to 190°F (88°C). Check compatibility guide on pages 11-88 and 11-89 and with chemical supplier for proper sheath material selection.

Replaces more expensive alumina or graphite heaters.

Design Features

- * 10 watts/in² (1.6 watts/cm²) for long service life
- * Non-contaminating Fluoropolymer (PTFE) covered stainless steel elements
- * T1 thermal fuse protection standard; T2 bi-metal switch optional
- * Grounded internal metal element for safety
- * UL listed for US and Canada
- * Lightweight, non-floating construction
- * Vapor-tight polypropylene terminal enclosure with universal mounting bracket
- * Standard 3-ft. flexible PVC liquid-tight conduit
- * Single-phase for 120V, three-phase for 240V or 480V standard
- * 120, 240, 480 volts standard as listed — other voltages available
- * Longer lengths available; consult Tempco



Note: Guards are recommended for all fluoropolymer heaters. Standard guards are made of polypropylene. Fluoropolymer (PTFE) guards are available for chromic acid and temperatures above 180°F (82°C).

Standard (Non-Stock) Sizes and Ratings with Polypropylene Guard

Watts	Part Number			Hot Zone		Vertical Length	
	120V	240V	480V	in	mm	in	mm
2000	TMT07001	TMT07002	TMT07003	9	229	17	432
3000	—	TMT07004	TMT07005	15	381	23	584
4000	—	TMT07006	TMT07007	21	533	29	737
6000	—	TMT07008	TMT07009	28	711	35	889
8000	—	TMT07010	TMT07011	38	965	47	1194
10000	—	TMT07012	TMT07013	47	1194	59	1499
12000	—	TMT07014	TMT07015	55	1397	68	1727

Standard lead time is 2 to 3 weeks.

Ordering Information

See page 11-90