



### Power Input

**Standard:** 90-250 VAC, 47-63 Hz, 8VA, 4W maximum  
**Optional:** 11-40 VDC / 20-8 VAC, 47-63 Hz, 8VA, 4W maximum

### Signal Input

**Resolution:** 18 Bits  
**Sampling Rate:** 5 Times / Second (200msec)  
**Maximum Rating:** -2VDC minimum, 12VDC maximum  
**Sensor Break Detection:** Sensor open for thermocouple and RTD inputs, sensor short for RTD input, below 1mA for 4-20mA input, below 0.25V for 1-5V input, not available for other inputs  
**Sensor break responding time:** Within 4 seconds for thermocouple and RTD inputs, 0.1 second for 4-20mA and 1-5V inputs

### Event Input

**Number of Event Inputs:** 1  
**Logic Low:** -10V minimum, 0.8V maximum  
**Logic High:** 2V minimum, 10V maximum

### CT Input

**CT type:** TEC99998  
**Accuracy:**  $\pm 2\%$  of full scale reading,  $\pm 1$  digit maximum  
**Input Impedance:** 294 $\Omega$   
**Measurement Range:** 0-50A AC  
**Output of CT:** 0-5V DC  
**CT Mounting:** Wall (Screw) mount  
**Sampling Rate:** 1 time/second

### Output 1 /Output 2

**Type:** Relay, pulsed voltage, linear voltage and linear current  
**Relay Rating:** 2A, 240V AC, 200000 life cycles for resistive load  
**Pulsed Voltage:** Source voltage 5V, Current limiting resistance 66 $\Omega$   
**Linear Output Resolution:** 15 Bits  
**Isolation Breakdown Voltage:** 1000 V AC  
**Load Capacity of Linear Output:** Linear current: 500 $\Omega$  maximum, Linear voltage: 10K $\Omega$  minimum

### Alarm

**Relay Type:** Form A  
**Maximum Rating:** 2A, 240VAC, 200000 life cycles for resistive load  
**Alarm Functions:** Dwell timer, Deviation low, Deviation high, Deviation band low, Deviation band high, Process high, Process low  
**Alarm Mode:** Latching, Hold, Normal, Latching/Hold  
**Dwell Timer:** 0.1-4553.6 minutes

### Data Communications

**Interface:** RS-485  
**Address:** 1-247  
**Parity Bit:** None, Even or Odd  
**Data Length:** 7 or 8 Bits  
**Protocol:** Modbus RTU  
**Baud Rate:** 2.8 - 115.2 Kbits/sec  
**Stop Bit:** 1 or 2 Bits  
**Communication Buffer:** 160 bytes

### Analog Retransmission

**Output Signal:** 4-20 mA, 0-20 mA, 0-10V  
**Resolution:** 15 Bits  
**Accuracy:**  $\pm 0.05\%$  of span  $\pm 0.0025\%$  /  $^{\circ}\text{C}$   
**Load Resistance:** 0-500 $\Omega$  for current output, 10K $\Omega$  minimum for voltage output  
**Isolation Breakdown:** 1000VAC minimum  
**Linear Output Ranges:** 0-22.2mA (0-20mA / 4-20mA), 0-5.55V (0-5V, 1-5V), 0-11.1V (0-10V)

### User Interface

**Keypad:** 4 Keys  
**Display Type:** 4 digit LCD display  
**No. of Display:** 2  
**Upper Display Size:** 0.31" (8mm)  
**Lower Display Size:** 0.25" (6.5mm)

### Programming Port

**Interface:** Micro USB  
**PC Communication Function:** Automatic Setup, Calibration and Firmware Upgrade

### Control Mode

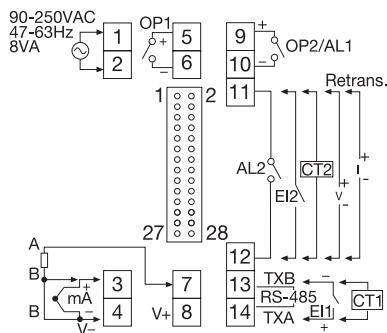
**Output 1:** Reverse (Heating) or Direct (Cooling) Action  
**Output 2:** PID cooling control, Cooling P band 50~300% of PB, Dead band -36.0 ~ 36.0 % of PB  
**ON-OFF:** 0.1-90.0 ( $^{\circ}\text{F}$ ) hysteresis control (P band = 0)  
**P or PD:** 0-100.0 % offset adjustment  
**PID:** Fuzzy logic modified Proportional band 0.1 ~ 900.0 $^{\circ}\text{F}$ , Integral time 0-3600 seconds, Derivative time 0-360.0 seconds  
**Cycle Time:** 0.1-90.0 seconds  
**Manual Control:** Heat (MV1) and Cool (MV2)  
**Failure Mode:** Auto transfer to manual mode while sensor break or A-D Converter damage  
**Ramping Control:** 0 to 900.0 $^{\circ}\text{F}$  / Minute or 0 to 900.0 $^{\circ}\text{F}$  / Hour Ramp Rate

### Environmental and Physical Specifications

**Operating Temperature:** -10 $^{\circ}\text{C}$  to 50 $^{\circ}\text{C}$   
**Storage Temperature:** -40 $^{\circ}\text{C}$  to 60 $^{\circ}\text{C}$   
**Humidity:** 0 to 90 % RH (Non-Condensing)  
**Insulation Resistance:** 20M $\Omega$  minimum (@500V DC)  
**Dielectric Strength:** 2000V AC, 50/60 Hz for 1 Minute  
**Vibration Resistance:** 10 to 55 Hz, 10m/s<sup>2</sup> for 2 Hours  
**Shock Resistance:** 200 m / s<sup>2</sup> (20g)  
**Moldings:** Flame retardant polycarbonate  
**Mounting:** DIN Rail, 35 mm  
**Dimensions H x W x D:** 3-3/4 x 7/8 x 3-1/4" (96 x 22.5 x 83 mm)

**Depth Behind Panel (mm):** n/a  
**Cut Out Dimensions (mm):** n/a  
**Weight:** 6 oz (160 g)  
 IP50 for the front panel, IP20 for rear terminals and housing.  
 All indoor use.

### Rear Terminal Connections



### Stock and Common Part Numbers

(Default Type "J" Thermocouple Input)

Part Number	Output 1	Out 2/ Alm 1	Option 2
TEC80001	Relay	None	None
TEC80002	Relay	Relay	None
TEC80003	Relay	Relay	Relay
TEC80004	Pulse DC	None	None
TEC80005	Pulse DC	Relay	None
TEC80006	Pulse DC	Relay	Relay
TEC80007	4-20mA	None	None
TEC80008	4-20mA	Relay	Relay