

Introduction

Introduction to Heat Trace Cable Systems



Tempco's Heat Trace Cables are used to counteract the effects of heat dissipation from process pipe and equipment through its insulation (if any). This heat loss allows a drop in temperature, bringing about unacceptable consequences such as frozen pipes, reduced fluid viscosity, etc.

The use of heat trace cable replaces the heat lost, maintaining the desired temperature through the application of the required wattage.

There are two general categories of Electrical Heat Trace Cable:

Constant Wattage and
Self-Limiting, or Self-Regulating cable

Each style of heat trace cable serves different applications.

The Most Commonly Asked Questions About Heat Trace Cables

Which cable do I need?

Selecting the proper cable depends on many different variables. The pipe size, exposure temperatures, ambient conditions, insulation type and thickness, maintenance temperatures, heat-up rate, flow rate, and type of material involved all play a part in determining which cable is best for your application.

Consult pages 6-2 through 6-14 and/or contact **Tempco** to assist you in making the correct choice.

What are the requirements for metal overbraid and outer jackets?

Metal overbraid is required on all heat trace cabling to meet NEC code for grounding. The braid provides mechanical protection, as well as a low-resistance grounding path.

On SL self-limiting cable, in addition to the standard metal overbraid, an optional thermoplastic elastomer or fluoropolymer outer jacket is recommended when exposure to organic chemicals or corrosives is expected.

Can the cable be cut in the field without changing the resistance?

Tempco's Constant Wattage and Self-Limiting style cable is designed to be a certain wattage per foot within a certain circuit length. All Constant Wattage cables have modules cut out of the bus wire jacket, exposing the bare wire at alternating points at pre-determined lengths. The cable is designed to be a certain wattage within this circuit length. These circuits run the length of the spool, similar to short runs of cable run in series to make one long cable. If a circuit is interrupted (cut), the cable will be unheated up until the next complete circuit.



Types of Heat Trace Cable



Constant Wattage Cable This style of heat trace cable is designed to put out a certain amount of wattage per linear foot at a particular voltage. It is always putting out the designed watts per foot, no matter what the surface or ambient temperature is. This means that in most situations the heating cable is continually pumping heat into the vessel or pipe being maintained or heated. If the heat trace cable is

not attached to some kind of control device, it has the potential to overheat itself and burn out. This would not only ruin the cable, but could cause damage to whatever it is being used on. Therefore, constant wattage cable must be controlled by some means.

Self-Limiting, or Self-Regulating Cable This cable will self-adjust its power output in relation to the surface temperature as well as ambient conditions. In other words, the hotter the conditions get, the lower the wattage output becomes. This characteristic allows this type of cable to be used without a control device. However, if a particular temperature is required, then a control device must be used.



Note: Both cables are used by all types of industry. It is the user's requirements that dictate which design to use. Higher temperature maintenance applications will use the constant wattage cables due to the higher maximum exposure temperatures that they allow. Lower temperature maintenance applications, such as freeze protection, can use the self-limiting cable, although constant wattage cable can be used just as effectively as long as it is controlled properly.

Heat Trace Cable Application/Installation Examples

<p>Installation of Heating Cable on a Pressure Sense Line</p>	<p>Pipe Instrument Tube Heating Cable Instrument Body</p>	<p>Installation of Heating Cable on a Pressure Indicator</p>
<p>Installation of Heating Cable System in Non-Hazardous Area</p>	<p>Supply Power Wiring Temperature Controller Fiberglass Tape Heating Cable Pipe Standoff Metal Pipe Straps</p>	<p>Installation of Heating Cable on a Straight Pipe Run</p>
<p>Installation of Temperature Sensor</p>	<p>Fiberglass Tape Pipe Heating Cable Temperature Sensor</p>	<p>Installation of Heating Cable at a Blind Tee</p>
<p>Installation of Heating Cable at a Pipe Support</p>	<p>Heating Cable Pipe Pipe Support (or Hanger)</p>	<p>Installation of Heating Cable at a Flange Body</p>
<p>Typical Installation of Heating Cable for Supports</p>	<p>Hanger Extension Stem Length of Cable Dependent on Mass and Size of Support</p>	<p>Installation of Heater on Diaphragm Valve (when surface area is sufficient)</p>

How to Determine Heat Trace Cable Requirements

Heat Loss

Heat loss is the amount of heat given up to the surrounding atmosphere through a combination of conduction, convection, and radiation. The parameters required to determine total heat losses on an application may include several of the following:

- * Temperature to be maintained
- * Lowest expected ambient temperature
- * Type, size, and run-length of pipe or tubing
- * Type and thickness of thermal insulation to be used
- * Losses through the vessel wall and the insulation
- * Flow rate

Calculating Heat Loss from Insulated Pipe

1. Calculate the ΔT , or temperature difference. Subtract the lowest ambient temperature from the operating temperature.
2. Using the ΔT calculated in step 1, and the insulation thickness, refer to **Tables 1-A through 1-E—Heat Loss for Pipes (pages 6-5 and 6-6)**, to determine the heat loss in watts per linear foot of pipe.
3. Depending on the type of insulation used in the application, multiply result from step 2 by the appropriate factor from **Table 2—Insulation Factor (page 6-6)**. The resulting number is the heat loss expressed in watts per linear foot of pipe to be made up by the heat tracer.

Determine the Correct Heat Trace Cable

Determine the cable most appropriate for your system based on the temperature to be maintained, environment, length of the run, and the voltages available. There are Tempco heating cables available for most heat tracing applications.

If the watts per foot rating of the cable selected is more than the heat loss per foot, then a straight run may be used.

If the watts per foot rating of the cable selected is less than the heat loss per foot, your options are:

- a. Use a higher wattage cable.
- b. Use multiple straight runs.
- c. Spiral wrap the cable on the pipe.
- d. Use insulation with a higher insulation factor or thickness.

Calculating Heat Loss for Valves and Supports

To determine the heat loss multiplication factor for valves, refer to **Table 4—Heat Loss Multiplication Factors for Valves (page 6-7)**. The heat loss factor is based on a typical gate valve with insulation coverage to include the body, flange, and bonnet of the valve.

To determine adjusted multiplication factors for other types of valves and supports, use the following conversion factors:

To determine adjusted multiplication factors for other types of valves and supports, use the following conversion factors:

Gate valve	1.0	Ball valve	0.7
Globe valve	0.95	Butterfly valve	0.60
Pipe supports	0.50		

Determine the Total Amount of Heat Trace Required

Add the length of cable required for each valve and support to the length of cable required for the total pipe within your system.

Sample Calculation

Engineering Example Specifications

Operating Temperature: 55°F

Minimum Ambient Temperature: -20°F

Pipe Size: 4" steel pipe

Pipe Length: 200 ft.

Valve: 1 Gate Valve

Insulation Thickness and Type: 1" of Calcium Silicate

Voltage: 120 or 240 volts

PROCEDURE

1. Determine the heat loss.

a. Difference between low ambient and operating temperature: $55^{\circ}\text{F} - (-20^{\circ}\text{F}) = \Delta T$
 $\Delta T = 75^{\circ}\text{F}$

b. Determine the heat loss by referring to **Table 1-A - Heat Loss for Pipes**. For $\Delta T = 75^{\circ}\text{F}$, a 4" diameter pipe with 1" thick insulation will have a Heat Loss Factor of 7.6 W/ft.

2. Determine the adjusted heat loss for calcium silicate insulation (heat loss chart is based on fiberglass) by referring to **Table 2 - Insulation Factor** (page 6-6). Adjustment = $7.6\text{ W} \times 1.47 = 11.17\text{ W/ft}$. Adjusted Heat Loss

3. Select correct heating cable (by voltage and wattage) required to replace a heat loss of 11.17 W/ft. Use one straight run of 12 W/ft. or three straight runs of 4 W/ft.

4. Determine the heat loss of the valve gate and supports.

Refer to **Table 4 - Heat Loss Multiplication Factors for Valves** (page 6-7). For a 4" diameter pipe, the heat loss multiplication factor is 2.92.

Valve heat loss factor = $11.17\text{ W/ft.} \times 2.92 = 32.62\text{ W}$

5. Determine the cable requirements for the valve.

Divide valve heat loss by W/ft. of selected cable. Length of cable required for valve:

$32.62\text{ W/ft.} \div 12\text{ W} = 2.72\text{ ft.}$

6. Determine total cable requirements.

a. Cable required for pipe:

1 run \times 200 ft. = 200 ft.

b. Cable required for valve = 2.72 ft.

c. Total: 200 ft. + 2.72 ft. = 203 ft.

Round this number (203) up to the nearest number evenly divisible by the module (module length = 4 ft.), i.e. 204 ft.

d. Add module length (4 ft.) for cold leads for termination:
204 ft. + 4 ft. = 208 ft.

Total feet of cable required = 208 ft. of 12 W/ft. heating cable.



Heat Loss Tables

Table 1-A Heat Loss for Pipes (Watts Per Foot) Insulation Thickness 1"

ΔT	NPS Pipe Size																		
	0.25	0.5	0.75	1	1.5	2	2.5	3	4	6	8	10	12	14	16	18	20	24	30
25	0.6	0.7	0.8	1.0	1.2	1.5	1.7	2.0	2.4	3.3	4.2	5.2	6.0	6.6	7.5	8.4	9.2	11.0	13.6
50	1.2	1.5	1.7	2.0	2.5	3.0	3.4	4.0	4.9	7.0	8.7	10.6	12.4	13.5	15.3	17.1	18.9	22.5	28.0
75	1.8	2.3	2.6	3.0	3.9	4.6	5.3	6.2	7.6	10.6	13.3	16.3	19.1	20.8	23.6	26.3	29.1	34.7	43.0
100	2.5	3.2	3.6	4.2	5.3	6.3	7.2	8.4	10.4	14.4	18.2	22.2	26.0	28.4	32.2	36.0	39.8	47.3	58.7
125	3.2	4.0	4.6	5.3	6.8	8.0	9.3	10.8	13.3	18.5	23.3	28.5	33.3	36.4	41.2	46.0	50.9	60.6	75.1
150	3.9	5.0	5.7	6.5	8.4	9.8	11.4	13.3	16.3	22.7	28.6	35.0	40.9	44.6	50.6	56.5	62.5	74.4	92.2
175	4.7	5.9	6.8	7.8	10.0	11.7	13.6	15.8	19.4	27.0	34.2	41.7	48.8	53.3	60.4	67.5	74.6	88.7	110.0
200	5.5	6.9	7.9	9.1	11.7	13.7	15.9	18.5	22.7	31.6	39.9	48.7	57.0	62.2	70.5	78.8	87.1	103.7	128.5
225	6.3	8.0	9.1	10.5	13.4	15.8	18.2	21.2	26.1	36.3	45.9	56.0	65.5	71.5	81.0	90.6	100.1	119.1	147.7
250	7.1	9.0	10.3	11.9	15.2	17.9	20.7	24.1	29.6	41.2	52.0	63.5	74.3	81.1	91.9	102.7	113.5	135.2	167.6
275	8.0	10.1	11.6	13.3	17.1	20.1	23.2	27.1	33.2	46.2	58.4	71.3	83.5	91.1	103.2	115.3	127.5	151.7	188.1
300	8.9	11.3	12.9	14.9	19.0	22.4	25.8	30.1	37.0	51.5	65.0	79.4	92.9	101.3	114.8	128.4	141.9	168.9	209.4
325	9.8	12.5	14.2	16.4	21.0	24.7	28.6	33.3	40.8	56.8	71.8	87.7	102.6	111.9	126.9	141.8	156.7	186.5	231.3
350	10.8	13.7	15.6	18.0	23.1	27.1	31.3	36.5	44.8	62.4	78.8	96.2	112.6	122.9	139.3	155.7	172.0	204.8	253.9
375	11.8	15.0	17.1	19.7	25.2	29.6	34.2	39.9	48.9	68.1	86.1	105.1	123.0	134.2	152.0	169.9	187.8	223.5	277.1
400	12.8	16.3	18.5	21.4	27.4	32.2	37.2	43.3	53.2	74.0	93.5	114.2	133.6	145.8	165.2	184.6	204.0	242.9	301.1

Table 1-B Heat Loss for Pipes (Watts Per Foot) Insulation Thickness 1.5"

ΔT	NPS Pipe Size																		
	0.25	0.5	0.75	1	1.5	2	2.5	3	4	6	8	10	12	14	16	18	20	24	30
25	0.5	0.6	0.7	0.8	0.9	1.1	1.3	1.4	1.7	2.4	3.0	3.6	4.2	4.6	5.2	5.8	6.4	7.5	9.3
50	1.0	1.2	1.4	1.6	1.9	2.2	2.6	3.0	3.6	4.9	6.1	7.4	8.6	9.4	10.6	11.8	13.0	15.5	19.1
75	1.5	1.9	2.1	2.4	3.0	3.5	3.9	4.5	5.5	7.5	9.4	11.4	13.3	14.1	16.3	18.2	20.0	23.8	29.4
100	2.1	2.5	2.9	3.3	4.1	4.7	5.4	6.2	7.5	10.3	12.8	15.5	18.1	19.7	22.2	24.8	27.3	32.4	40.1
125	2.6	3.3	3.7	4.2	5.2	6.0	6.9	7.9	9.6	13.1	16.4	19.9	23.2	25.2	28.5	31.7	35.0	41.5	51.3
150	3.2	4.0	4.5	5.1	6.4	7.4	8.5	9.7	11.8	16.1	20.1	24.4	28.4	30.9	34.9	38.9	42.9	50.9	62.9
175	3.9	4.8	5.4	6.1	7.6	8.8	10.1	11.6	14.1	19.2	24.0	29.1	33.9	36.9	41.6	46.4	51.2	60.7	75.0
200	4.5	5.6	6.3	7.1	8.9	10.3	11.8	13.6	16.4	22.4	28.0	34.0	39.6	43.0	48.6	54.2	59.7	70.9	87.6
225	5.2	6.4	7.2	8.2	10.2	11.8	13.5	15.6	18.9	25.8	32.2	39.0	45.4	49.4	55.8	62.2	68.6	81.4	100.6
250	5.9	7.2	8.1	9.3	11.6	13.4	15.3	17.7	21.4	29.2	36.5	44.3	51.5	56.1	63.3	70.6	77.8	92.3	114.1
275	6.6	8.1	9.1	10.4	13.0	15.1	17.2	19.8	24.0	32.8	41.0	49.7	57.8	62.9	71.1	79.2	87.3	103.6	128.0
300	7.3	9.0	10.2	11.6	14.5	16.8	19.2	22.1	26.7	36.5	45.6	55.3	64.3	70.0	79.1	88.1	97.2	115.3	142.4
325	8.1	10.0	11.2	12.8	16.0	18.5	21.2	24.4	29.5	40.3	50.4	61.0	71.0	77.3	87.3	97.3	107.3	127.3	157.2
350	8.9	11.0	12.3	14.0	17.5	20.3	23.2	26.7	32.4	44.2	55.3	67.0	78.0	84.8	95.8	106.8	117.7	139.7	172.6
375	9.7	12.0	13.5	15.3	19.1	22.2	25.3	29.2	35.3	48.3	60.3	73.1	85.1	92.6	104.6	116.5	128.5	152.4	188.3
400	10.5	13.0	14.6	16.6	20.8	24.1	27.5	31.7	38.4	52.4	65.5	79.4	92.4	100.5	113.6	126.6	139.6	165.6	204.5

Table 1-C Heat Loss for Pipes (Watts Per Foot) Insulation Thickness 2"

ΔT	NPS Pipe Size																		
	0.25	0.5	0.75	1	1.5	2	2.5	3	4	6	8	10	12	14	16	18	20	24	30
25	0.4	0.5	0.6	0.6	0.8	0.9	1.0	1.2	1.4	1.9	2.4	2.8	3.3	3.6	4.0	4.5	4.9	5.8	7.1
50	0.9	1.1	1.2	1.3	1.6	1.9	2.1	2.4	2.9	3.9	4.8	5.8	6.7	7.3	8.2	9.1	10.1	11.9	14.6
75	1.3	1.6	1.8	2.0	2.5	2.9	3.3	3.7	4.4	6.0	7.4	8.9	10.3	11.2	12.6	14.0	15.5	18.3	22.5
100	1.8	2.2	2.5	2.8	3.4	3.9	4.4	5.1	6.1	8.2	10.1	12.2	14.1	15.3	17.2	19.2	21.1	24.9	30.7
125	2.3	2.8	3.2	3.6	4.4	5.0	5.7	6.5	7.8	10.4	12.9	15.6	18.0	19.6	22.1	24.5	27.0	31.9	39.3
150	2.9	3.5	3.9	4.4	5.4	6.2	7.0	8.0	9.5	12.8	15.9	19.1	22.1	24.0	27.1	30.1	33.1	39.2	48.2
175	3.4	4.1	4.6	5.2	6.4	7.3	8.3	9.5	11.4	15.3	18.9	22.8	26.4	28.7	32.3	35.9	39.5	46.7	57.5
200	4.0	4.8	5.4	6.1	7.5	8.6	9.7	11.1	13.3	17.9	22.1	26.6	30.8	33.5	37.7	41.9	46.1	54.5	67.1
225	4.6	5.6	6.2	7.0	8.6	9.9	11.2	12.7	15.2	20.5	25.4	30.6	35.4	38.5	43.3	48.1	53.0	62.6	77.1
250	5.2	6.3	7.0	7.9	9.7	11.2	12.6	14.4	17.3	23.3	28.8	34.7	40.2	43.6	49.1	54.6	60.1	71.1	87.5
275	5.8	7.1	7.9	8.9	10.9	12.5	14.2	16.2	19.4	26.1	32.3	38.9	45.1	49.0	55.1	61.3	67.4	79.7	98.2
300	6.5	7.9	8.8	9.9	12.2	14.0	15.8	18.0	21.6	29.1	36.0	43.3	50.2	54.5	61.3	68.2	75.0	88.7	109.2
325	7.2	8.7	9.7	10.9	13.4	15.4	17.5	19.9	23.9	32.1	39.8	47.8	55.4	60.2	67.7	75.3	82.9	98.0	120.7
350	7.9	9.6	10.7	12.0	14.7	16.9	19.2	21.9	26.2	35.2	43.6	52.5	60.8	66.0	74.4	82.7	91.0	107.6	132.4
375	8.6	10.4	11.6	13.1	16.1	18.5	20.9	23.9	28.6	38.5	47.6	57.3	66.4	72.1	81.2	90.2	99.3	117.4	144.5
400	9.3	11.3	12.6	14.2	17.5	20.1	22.7	25.9	31.0	41.8	51.7	62.2	72.1	78.3	88.2	98.0	107.8	127.5	157.0

CONTINUED

Continued from previous page...

Table 1-D Heat Loss for Pipes (Watts Per Foot) Insulation Thickness 2.5"

ΔT	NPS Pipe Size																		
	0.25	0.5	0.75	1	1.5	2	2.5	3	4	6	8	10	12	14	16	18	20	24	30
25	0.4	0.5	0.5	0.6	0.7	0.8	0.9	1.0	1.2	1.6	2.0	2.4	2.7	2.9	3.3	3.7	4.0	4.7	5.8
50	0.8	1.0	1.1	1.2	1.4	1.6	1.8	2.1	2.5	3.3	4.0	4.8	5.6	6.0	6.8	7.5	8.2	9.7	11.9
75	1.2	1.5	1.6	1.8	2.2	2.5	2.8	3.2	3.8	5.0	6.2	7.4	8.5	9.2	10.4	11.5	12.6	14.9	18.3
100	1.7	2.0	2.2	2.5	3.0	3.4	3.8	4.4	5.2	6.9	8.4	10.1	11.6	12.6	14.2	15.7	17.3	20.3	25.0
125	2.1	2.6	2.8	3.2	3.8	4.4	4.9	5.6	6.6	8.8	10.8	12.9	14.9	16.1	18.1	20.1	22.1	26.0	31.9
150	2.6	3.1	3.5	3.9	4.7	5.4	6.0	6.8	8.1	10.8	13.2	15.8	18.3	19.8	22.2	24.6	27.1	31.9	39.2
175	3.1	3.7	4.1	4.6	5.6	6.4	7.2	8.1	9.7	12.8	15.8	18.9	21.8	23.6	26.5	29.4	32.3	38.0	46.7
200	3.6	4.4	4.8	5.4	6.6	7.5	8.4	9.5	11.3	15.0	18.4	22.0	25.4	27.5	30.9	34.3	37.7	44.4	54.5
225	4.2	5.0	5.6	6.2	7.5	8.6	9.6	10.9	13.0	17.2	21.1	25.3	29.2	31.6	35.5	39.4	43.2	51.0	62.6
250	4.7	5.7	6.3	7.0	8.5	9.7	10.9	12.4	14.7	19.5	24.0	28.7	33.1	35.8	40.2	44.6	49.0	57.8	70.9
275	5.3	6.4	7.1	7.9	9.6	10.9	12.3	13.9	16.5	21.9	26.9	32.2	37.1	40.2	45.2	50.1	55.0	64.9	79.6
300	5.9	7.1	7.9	8.8	10.7	12.1	13.6	15.5	18.3	24.4	29.9	35.8	41.3	44.7	50.2	55.7	61.2	72.1	88.5
325	6.5	7.8	8.7	9.7	11.8	13.4	15.1	17.1	20.2	26.9	33.0	39.5	45.6	49.4	55.5	61.5	67.6	79.6	97.7
350	7.2	8.6	9.5	10.6	12.9	14.7	16.5	18.7	22.2	29.5	36.3	43.4	50.0	54.2	60.9	67.5	74.1	87.4	107.2
375	7.8	9.4	10.4	11.6	14.1	16.0	18.0	20.4	24.2	32.2	39.6	47.3	54.6	59.1	66.4	73.6	80.9	95.4	117.0
400	8.5	10.2	11.3	12.6	15.3	17.4	19.6	22.2	26.3	35.0	43.0	51.4	59.3	64.2	72.1	80.0	87.8	103.5	127.1

Table 1-E Heat Loss for Pipes (Watts Per Foot) Insulation Thickness 3"

ΔT	NPS Pipe Size																		
	0.25	0.5	0.75	1	1.5	2	2.5	3	4	6	8	10	12	14	16	18	20	24	30
25	0.4	0.4	0.5	0.5	0.6	0.7	0.8	0.9	1.1	1.4	1.7	2.0	2.3	2.5	2.8	3.1	3.4	4.0	4.9
50	0.7	0.9	1.0	1.1	1.3	1.5	1.6	1.9	2.2	2.9	3.5	4.2	4.8	5.2	5.8	6.4	7.0	8.3	10.1
75	1.1	1.4	1.5	1.7	2.0	2.3	2.5	2.8	3.3	4.4	5.4	6.4	7.3	7.9	8.9	9.8	10.8	12.7	15.5
100	1.6	1.9	2.0	2.3	2.7	3.1	3.4	3.9	4.6	6.0	7.3	8.7	10.0	10.8	12.1	13.4	14.7	17.3	21.2
125	2.0	2.4	2.6	2.9	3.5	3.9	4.4	5.0	5.8	7.7	9.4	11.1	12.8	13.8	15.5	17.2	18.8	22.1	27.1
150	2.4	2.9	3.2	3.6	4.3	4.8	5.4	6.1	7.2	9.4	11.5	13.7	15.7	17.0	19.0	21.1	23.1	27.1	33.2
175	2.9	3.5	3.8	4.2	5.1	5.8	6.4	7.3	8.5	11.2	13.7	16.3	18.7	20.2	22.7	25.1	27.5	32.3	39.6
200	3.4	4.0	4.5	4.9	5.9	6.7	7.5	8.5	10.0	13.1	16.0	19.0	21.9	23.6	26.5	29.3	32.1	37.8	46.2
225	3.9	4.6	5.1	5.7	6.8	7.7	8.6	9.7	11.5	15.0	18.4	21.8	25.1	27.1	30.4	33.6	36.9	43.4	53.1
250	4.4	5.3	5.8	6.4	7.7	8.8	9.8	11.0	13.0	17.1	20.8	24.8	28.5	30.8	34.5	38.1	41.8	49.2	60.2
275	5.0	5.9	6.5	7.2	8.7	9.8	11.0	12.4	14.6	19.1	23.4	27.8	31.9	34.5	38.7	42.8	46.9	55.2	67.5
300	5.5	6.6	7.2	8.0	9.7	10.9	12.2	13.8	16.2	21.3	26.0	30.9	35.5	38.4	43.0	47.6	52.2	61.4	75.1
325	6.1	7.3	8.0	8.9	10.7	12.1	13.5	15.2	17.9	23.5	28.7	34.1	39.2	42.4	47.5	52.6	57.6	67.7	82.9
350	6.7	8.0	8.8	9.7	11.7	13.2	14.8	16.7	19.6	25.8	31.5	37.5	43.1	46.5	52.1	57.7	63.2	74.3	91.0
375	7.3	8.7	9.6	10.6	12.8	14.5	16.2	18.2	21.4	28.2	34.4	40.9	47.0	50.8	56.9	62.9	69.0	81.1	99.3
400	7.9	9.4	10.4	11.6	13.9	15.7	17.5	19.8	23.3	30.6	37.3	44.4	51.0	55.2	61.8	68.4	74.9	88.1	107.8

Table 2 Insulation Factor

Insulation Material	Temperature (°F) to be Maintained									
	50	100	150	200	250	300	400	500	600	
Fiberglass	1	1	1	1	1	1	1	1	1	
Cellular Glass	1.53	1.50	1.48	1.44	1.42	1.40	1.36	1.34	1.32	
Calcium Silicate	1.47	1.47	1.45	1.44	1.41	1.39	1.34	1.32	1.30	
Polyurethane	0.60	0.60	0.58	0.57	*	*	*	*	*	

* Temperature (°F) exceeds the recommended values for foam.



Note: All insulation factors were determined based on leading insulation manufacturers' specifications.



Heat Loss Tables

Table

3 Spiral Pitch (Feet of Heat Trace Cable Per Foot of Pipe)

Pitch	NPS Pipe Size																	
	0.50	0.75	1.00	1.50	2.00	2.5	3	4	6	8	10	12	14	16	18	20	24	30
2"	1.98	2.27	2.66	3.52	4.25	5.01	5.97	7.52	10.85	13.98	17.30	20.43	22.39	25.53	28.67	31.81	38.09	47.50
3"	1.52	1.69	1.92	2.46	2.93	3.43	4.05	5.07	7.27	9.35	11.56	13.64	14.95	17.04	19.13	21.22	25.40	31.68
4"	1.32	1.43	1.59	1.96	2.29	2.65	3.11	3.86	5.49	7.04	8.69	10.25	11.23	12.80	14.36	15.93	19.06	23.77
5"	1.21	1.29	1.40	1.68	1.93	2.21	2.56	3.15	4.43	5.67	6.98	8.23	9.00	10.25	11.50	12.76	15.26	19.02
6"	1.15	1.21	1.29	1.51	1.70	1.92	2.20	2.68	3.74	4.75	5.84	6.88	7.52	8.56	9.60	10.64	12.73	15.86
7"	1.11	1.16	1.22	1.39	1.55	1.72	1.96	2.35	3.24	4.11	5.03	5.92	6.47	7.36	8.25	9.14	10.92	13.61
8"	1.09	1.12	1.17	1.31	1.44	1.58	1.78	2.12	2.88	3.63	4.43	5.20	5.68	6.46	7.23	8.01	9.57	11.92
9"	1.07	1.10	1.14	1.25	1.36	1.48	1.65	1.94	2.60	3.26	3.97	4.64	5.07	5.76	6.45	7.14	8.52	10.60
10"	1.06	1.08	1.11	1.21	1.30	1.40	1.54	1.80	2.38	2.96	3.60	4.20	4.58	5.20	5.82	6.44	7.68	9.55
11"	1.05	1.07	1.10	1.17	1.25	1.34	1.46	1.68	2.20	2.72	3.30	3.84	4.19	4.75	5.30	5.87	6.99	8.69
12"	SR	SR	1.08	1.15	1.21	1.29	1.40	1.60	2.06	2.53	3.05	3.55	3.86	4.37	4.88	5.39	6.42	7.98
14"	SR	SR	1.06	1.11	1.16	1.22	1.31	1.46	1.84	2.23	2.66	3.08	3.35	3.78	4.21	4.65	5.53	6.86
16"	SR	SR	1.05	1.09	1.13	1.17	1.24	1.37	1.68	2.01	2.38	2.74	2.97	3.34	3.72	4.10	4.86	6.02
18"	SR	SR	SR	1.07	1.10	1.14	1.19	1.30	1.56	1.84	2.16	2.48	2.68	3.01	3.34	3.67	4.35	5.37
24"	SR	SR	SR	SR	1.06	1.08	1.11	1.18	1.35	1.53	1.75	1.97	2.12	2.35	2.59	2.83	3.33	4.08
30"	SR	SR	SR	SR	SR	1.05	1.07	1.12	1.23	1.37	1.52	1.69	1.80	1.97	2.16	2.34	2.73	3.32
36"	SR	SR	SR	SR	SR	SR	1.05	1.08	1.17	1.26	1.39	1.51	1.60	1.73	1.88	2.03	2.34	2.82
42"	SR	SR	SR	SR	SR	SR	SR	1.06	1.12	1.20	1.29	1.39	1.46	1.57	1.69	1.81	2.07	2.47
48"	SR	SR	SR	SR	SR	SR	SR	1.05	1.10	1.16	1.23	1.31	1.37	1.46	1.56	1.66	1.88	2.22
60"	SR	SR	SR	SR	SR	SR	SR	SR	1.05	1.10	1.15	1.21	1.25	1.31	1.38	1.46	1.62	1.87
72"	SR	SR	SR	SR	SR	SR	SR	SR	SR	1.07	1.11	1.15	1.18	1.23	1.28	1.33	1.46	1.66

SR = Straight Run

Table

4 Heat Loss Multiplication Factors for Valves

NPS Pipe Size	Multi. Factor	NPS Pipe Size	Multi. Factor	NPS Pipe Size	Multi. Factor	NPS Pipe Size	Multi. Factor
0.5	0.52	2	1.92	6	3.84	16	7.91
0.75	0.78	2.5	2.00	8	4.66	18	8.84
1	1.00	3	2.40	10	5.51	20	9.57
1.25	1.33	3.5	2.62	12	6.25	24	11.09
1.5	1.70	4	2.92	14	7.07		

Self-Limiting Heat Trace Cable

Tempco's Self-Limiting Heating Cables are all parallel resistance, low watt density electrical heaters designed to be cut to the desired lengths in the field, eliminating the need for prefabrications and reducing or eliminating many design and installation costs. No special training is required.

Self-limiting heating cables are designed and built to regulate their output. As the process temperature drops, the cable's output increases; conversely, as the temperature rises, the cable's output decreases.

The self-limiting core is in essence an infinite number of parallel resistors that permit the cable to be cut to any length without creating cold sections. Because it is self-regulating and infinitely paral-

lel, the output varies along the length of the cable, depending upon local process temperature.

Metal overbraid is provided on all heat trace cabling to meet NEC code for grounding. The braid provides mechanical protection, as well as a low resistance grounding path.

On SL self-limiting cable, in addition to the standard metal overbraid, an optional thermoplastic elastomer or fluoropolymer outer jacket is recommended when exposure to organic chemicals or corrosives is expected.

Self-limiting heating cable provides safe, reliable heat tracing for process temperature maintenance and freeze protection of pipes, valves and similar applications.



Design Features

- * *Efficient, Safe, Easy to Install*
- * *Maintenance Temperatures up to 150°F (65°C)*
- * *Can Be Overlapped*
- * *Cut to Length at the Job Site*

Typical Applications

- ↪ *Pipelines*
- ↪ *Drains*
- ↪ *Water Lines*
- ↪ *Safety Showers*
- ↪ *Sprinkler Systems*

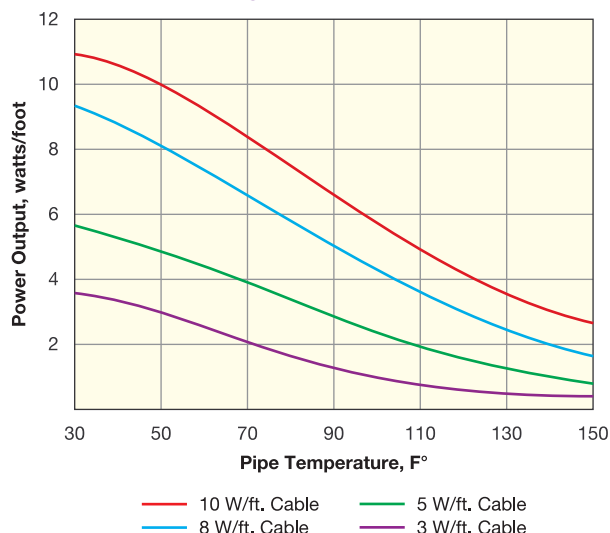
Specifications

- Voltages Available:** 120, 240
- Wattages:** 3, 5, 8, 10 (W/ft.) @ 50°F ambient
- Outside Dimensions:** Nom. .450" x .130"
- Exposure Rating:** 150°F (65°C)
- De-Energized:** 185°F (85°C)
- Standard Metal Overbraid:** Tinned Copper or optional Stainless Steel
- Moisture Resistance:** Excellent
- Chemical Resistance:** Good
- Flame Resistance:** Good
- Radiation Resistance:** Fair

Agency Approvals

- * CSA
- * IEEE Std 515 RU
- * **Factory Mutual**
 - Ordinary Locations
 - Hazardous Locations:
 - Class I, Division 2, Groups B, C & D
 - Class II, Division 2, Groups F & D
 - Class III, Division 1 and Division 2

Actual Wattage Output vs. Temperature



SL Style Heating Cable

The SL Style cable heating element is a low watt density parallel circuit electrical heater. The multi-stranded bus wires are extruded in an irradiated self-regulating conductive polyolefin that increases and decreases its heat output with changes in the ambient temperature. A flame retardant thermoplastic elastomer jacket is added for abrasion and impact resistance.

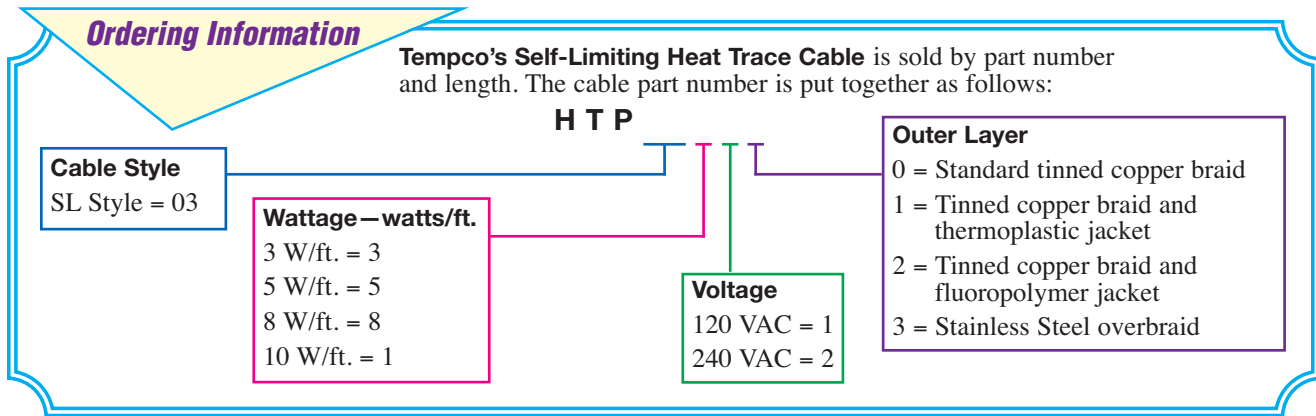
A metal braided shield is then applied to meet NEC code for grounding. Metal overbraid heaters are FM approved for use in hazardous areas.

An optional fluoropolymer outer jacket is also available. This outer jacket should be specified when the metal braided cable is installed in corrosive environments.



Self-Limiting Heat Trace Cable

Continued from previous page...



⚠ WARNING: Cancer and Reproductive Harm - www.P65Warnings.ca.gov.

Lead Termination and Cable Kits for Self-Limiting Cable

In order to maintain the integrity of the insulation, termination kits must be used to add leads or splice the heating cables. **Both ends must be terminated to use the heat trace cable properly.** The termination kits are designed to fully seal using a general purpose silicone RTV sealant, such as GE RTV108, on the final connections.

Termination Kit Type	"SL" Cable
Universal Connection/ Termination Kit	HTP90021
Splice or Lead End Kit	HTP90022
End Seal Kit	HTP90023

The **Universal Kit** is mainly used to terminate the heat trace cable for pipe trace heating when the heating cable needs to terminate in an NPT pipe standoff for attaching a wiring junction box. The SL kit includes the 1" NPT pipe standoff and materials to make one power input connection, and two end terminations or one power input splice. The junction box is ordered separately; see page 6-13. These assemblies are watertight and suitable for use in Division II hazardous locations.

The **Splice or Lead End Kit** is used for tee splices or cold lead end terminations. Enough material is supplied for 10 tee splices or 10 cold lead end terminations.

The **End Seal Kit** is used to cap off and seal the end of the cable where the bus wires are exposed. Enough material is supplied for 10 end seal terminations.

